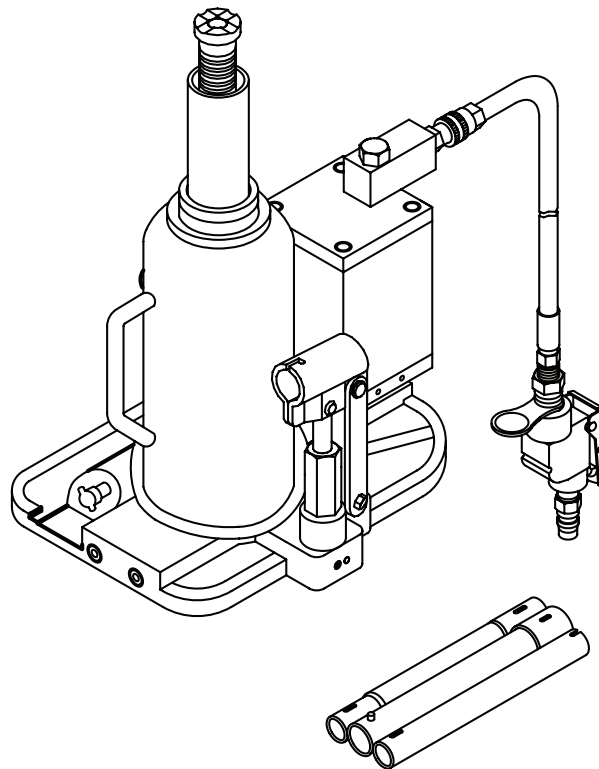


# OMEGALIFT™ EQUIPMENT

## Air/Manual Hydraulic Bottle Jacks

Model  
18124C  
18204C

Capacity  
12 Ton  
20 Ton



Models 18124C & 18204C



*This is the safety alert symbol. It is used to alert you to potential personal injury hazards. Obey all safety messages that follow this symbol to avoid possible injury or death.*

**SFA Companies**  
<http://www.omegalift.com>

**Read this manual and follow all the Safety Rules and Operating Instructions before using this product.**

18124C-M0\_042016


## SAFETY AND GENERAL INFORMATION

**Save these instructions.** For your safety, read, understand, and follow the information provided with and on this device before using. The owner and/or operator shall have an understanding of the device, its operating characteristics and safety operating instructions before operating the equipment. The owner and/or operator shall be aware that use and repair of this product may require special skills and knowledge. Instructions and safety information shall be read to and discussed with the operator in the operator's native language, making sure that the operator comprehends their contents, before use of this equipment is authorized. If any doubt exists as to the safe and proper use of this device, remove from service immediately.

**Inspect before each use.** Do not use if abnormal conditions such as cracked welds, damaged, loose or missing parts are noted. Any equipment that appears damaged in any way, is found to be worn, or operates abnormally shall be removed from service until repaired. If the equipment has been or is suspected to have been subjected to an abnormal load or shock, immediately discontinue use until inspected by a factory authorized repair facility (contact distributor or manufacturer for list of authorized repair facilities). It is recommended that an annual inspection be made by an authorized repair facility. Labels and Operator's Manuals are available from the manufacturer.

## PRODUCT DESCRIPTION

Omega Air Actuated Hydraulic Bottle Jack is designed to lift, not support, rated capacity loads consisting of one end of a vehicle. Immediately after lifting, the load must be supported by a pair of appropriately rated jack stands. Ensure that air source can dedicate 7.8 CFM @ 110-175 psi to each jack operated. A minimum of 150 psi air pressure is required to raise rated capacity load.

 **WARNING:** *Never use a hydraulic jack as a stand alone device. After lifting, immediately support the lifted load with a pair of appropriately rated jack stands.*

## PREPARATION

### Before Use

1. Before using this product, read the operator's manual completely and familiarize yourself thoroughly with the product, its components and recognize the hazards associated with its use.
2. Verify that the product and application are compatible, if in doubt call Omega Technical Service (888) 332-6419.
3. Assemble handle, ensure spring clips align with slots.
4. To familiarize yourself with basic operation, use the notched end of provided handle to engage and turn the release valve:
  - a. *Clockwise* until firm resistance is felt to further turning. This is the '**CLOSED**' release valve position used to raise the ram plunger.
  - b. *Counter-clockwise*, but no more than 1 turn from the closed position. This is the '**OPEN**' release valve position used to lower the ram plunger.
5. With saddle fully lowered, and release valve closed, pump the operating handle. If lift arm responds immediately, jack is ready for use. If jack does not respond, follow **Bleeding/Venting Trapped Air** procedure below.
6. Pour a teaspoon of good quality, air tool lubricant into the air supply inlet of the lift control valve. Connect to air supply and squeeze lift control valve for 3 seconds to evenly distribute lubricant.
7. This product is equipped with the popular 1/4" NPT air coupler. When installing a different air coupler of your choice, ensure that thread tape or compound is used when servicing connections. To ensure dependable, trouble free operation an in-line air dryer and oiler is recommended.
8. Check that the pump operates smoothly and that the extension screw will thread up/down easily before putting into service. Replace worn or damaged parts and assemblies with Omega authorized replacement parts only.

### Bleeding/Venting Trapped Air

With the release valve in the OPEN position (4b above) and with ram plunger fully lowered, locate and remove the oil filler screw. Insert the handle into the handle sleeve; then pump 6 to 8 full strokes. This will help release any pressurized air which may be trapped within the reservoir. Oil level should be even with the bottom of the oil filler hole. Reinstall the oil filler screw.

## WARNING

- Study, understand, and follow all instructions before operating this device.
- Do not exceed rated capacity.
- Use only on hard, level surface.
- This is a lifting device only. Immediately after lifting, support the load with appropriate means.
- Lift only on areas of the vehicle as specified by the vehicle manufacturer.
- No alterations shall be made to this product.
- Only attachments and/or adapters supplied by the manufacturer shall be used.
- Failure to heed these markings may result in personal injury and/or property damage.

## WARNING



To avoid crushing and related injuries:

- Never work on, under or around a load supported only by hydraulic jack.
- Always use adequately rated jack stands.
- Chock each unlifted tire in both directions.
- Do not use this device to lift, level, lower, support nor move a house, mobile home, travel trailer, camper or any building structure.
- Be alert and sober when using this product. Do not operate under the influence of drugs or alcohol.

## SPECIFICATIONS

Model	Capacity	Base Size (L x W)	Saddle Diameter	Min. Height	Max. Height	Hydraulic Lift
18124C	12 Ton	7-7/8" x 6-3/8"	1-5/8"	9-1/2"	18-1/4"	5-1/2"
18204C	20 Ton	8-1/2" x 7-1/8"	1-7/8"	9-3/4"	18-5/8"	5"

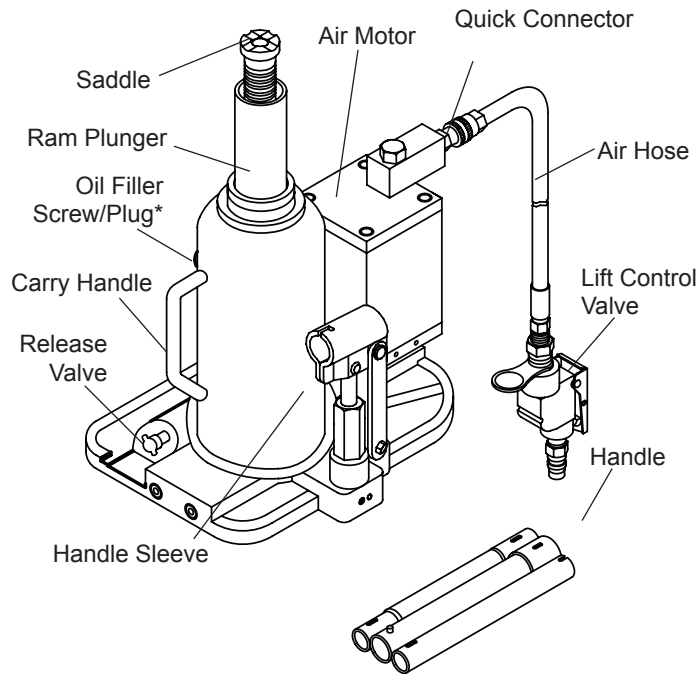


Figure 1 - 18124C & 18204C

## OPERATION

### Raising the Ram Plunger

1. Assemble handle, ensure that spring clips align with slots.
2. Place vehicle in park, with emergency brake on and wheel securely chocked to prevent inadvertent vehicle movement.
3. Locate and close release valve by turning handle clockwise until firm resistance is felt to further thread engagement.
4. Verify lift point, center jack saddle under lift point.
5. Squeeze the lift control valve or insert handle into handle sleeve and pump to contact lift point. To lift, continue pumping until load reaches desired height. **DO NOT OPERATE BY AIR AND BY HAND PUMPING AT THE SAME TIME.**
6. Immediately transfer the lifted load to a pair of appropriately rated jack stands.

**NOTICE:** Use the provided Pump Handle. The handle furnished with this jack will safely engage the release valve and operate the Handle Sleeve. If handle is worn, operates abnormally, or will not positively engage the release valve, STOP, discontinue use of the jack until a factory replacement handle can be acquired.

**NOTICE:** Do not use extensions on air hose or operating handle.

### Lowering

**⚠ WARNING:** Clear all tools and personnel before lowering load. Open release valve slowly. The further handle is turned counter-clockwise, the faster the load will descend. Maintain control of the load at all times.

1. Raise load high enough to clear the jack stands, then remove jack stands.
2. Slowly turn the handle counter-clockwise, but no more than 1/2 turn. If the load fails to lower:
  - a. Use another jack to raise the vehicle high enough to reinstall jack stands.
  - b. Raise load high enough to clear the jack stands, remove the affected jack and then the stands.
  - c. Lower the load.
3. After removing jack from under the load, push ram and handle sleeve down to reduce exposure to rust and contamination.

# MAINTENANCE

**NOTICE:** Use only good quality hydraulic jack oil. Avoid mixing different types of fluid and NEVER use brake fluid, turbine oil, transmission fluid, motor oil or glycerin. Improper fluid can cause premature failure of the jack and the potential for sudden and immediate loss of load. Premium hydraulic jack oil is recommended.

## Adding oil

1. With ram plunger fully lowered and pump piston fully depressed, set jack in its upright, level position. Remove oil filler screw.
2. Fill with oil until just below the rim of the oil filler plug hole. Reinstall the oil filler screw.

## Changing oil

For best performance and longest life, replace the complete fluid supply at least once per year.

1. With ram plunger fully lowered and pump piston fully depressed, remove the oil filler screw.
2. Lay the jack on its side and drain the fluid into a suitable container.

**NOTICE:** Dispose of hydraulic oil in accordance with local environmental regulations.

3. Fill with oil until just below the rim of the oil filler hole. Reinstall the oil filler screw.
4. Perform **Bleeding/Venting Trapped Air** procedure, pg. 2.

## Lubrication

1. A periodic coating of light lubricating oil to pivot points will help to prevent rust and assure that pump assemblies move freely.
2. Air pump should be internally lubricated before each use. Use good quality air tool lubricant. If no in-line oiler is used, pour a teaspoon of air tool oil into the air control valve inlet. Operate the jack with air pressure to fully distribute the oil inside the air motor.

## Cleaning

Periodically check the pump piston and ram for signs of rust/corrosion. Clean as needed and wipe with oily cloth.

**NOTICE:** Do not use sandpaper or abrasive material on ram and pump piston surfaces.

## Storage

When not in use, store the jack with pump piston and ram plunger fully retracted and air supply disconnected.

# TROUBLESHOOTING

Symptom	Possible Causes	Corrective Action
Jack will not lift load	<ul style="list-style-type: none"> <li>• Release valve not tightly closed</li> <li>• Overload condition</li> <li>• Air pressure inadequate</li> </ul>	<ul style="list-style-type: none"> <li>• Ensure release valve tightly closed</li> <li>• Remedy overload condition</li> <li>• Ensure adequate air pressure</li> </ul>
Jack will lift, but not maintain pressure	<ul style="list-style-type: none"> <li>• Release valve not tightly closed</li> <li>• Overload condition</li> <li>• Hydraulic unit malfunction</li> </ul>	<ul style="list-style-type: none"> <li>• Ensure release valve tightly closed</li> <li>• Remedy overload condition</li> <li>• Contact Omega Tech. Service</li> </ul>
Jack will not lower after unloading	<ul style="list-style-type: none"> <li>• Reservoir overfilled</li> </ul>	<ul style="list-style-type: none"> <li>• Ensure load is removed, then drain fluid to proper level</li> </ul>
Poor lift performance	<ul style="list-style-type: none"> <li>• Fluid level low</li> <li>• Air trapped in system</li> </ul>	<ul style="list-style-type: none"> <li>• Ensure proper fluid level</li> <li>• Follow <b>Bleeding/Venting Trapped Air</b> procedure on page 2</li> </ul>
Will not lift to full extension	<ul style="list-style-type: none"> <li>• Fluid level low</li> </ul>	<ul style="list-style-type: none"> <li>• Ensure proper fluid level</li> </ul>

# REPLACEMENT PARTS

Not all components of the jack are replacement items, but are illustrated as a convenient reference of location and position in the assembly sequence. When ordering parts, give Model number, serial number and parts description. Call or write for current pricing: SFA Companies Inc. 10939 N. Pomona Ave. Kansas City, MO 64153, U.S.A. Tel:(888) 332-6419; Fax:(816) 891-6599; e-mail: sales@omegalift.com; Omega Website: <http://www.omegalift.com>

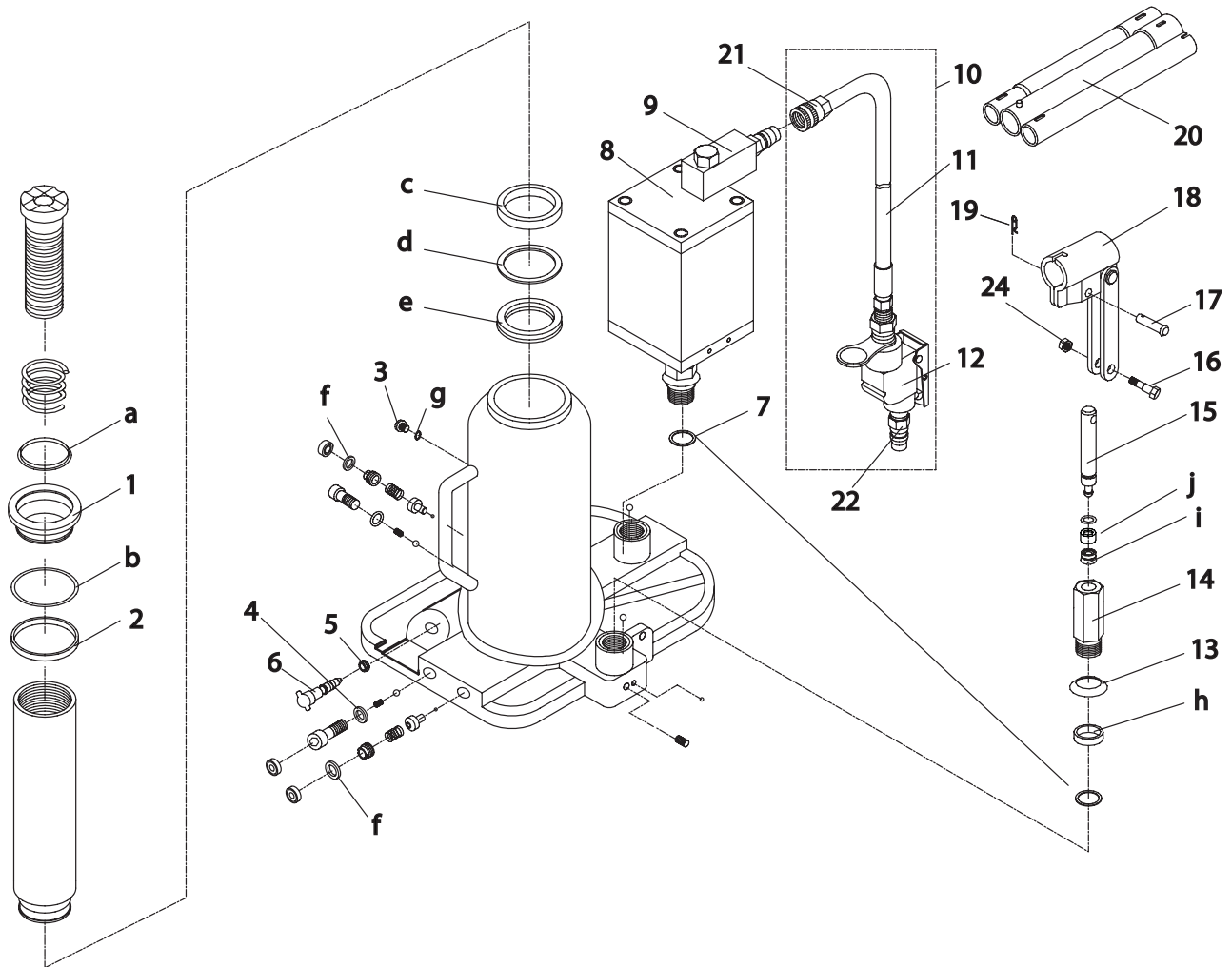


Figure 3 - Replacement Parts Illustration

**Replacement Parts List for Models 18124C & 18204C**

Item	Part No. for Model:	Part No. for Model:	Description	Qty.
	18124C	18204C		
1	SQ12-1200-039	SQ20-2000-039	Cylinder Fastener	1
2	SQ12-1200-036	SQ20-2000-036	Guide Ring	1
3	SQ12-1200-040	SQ20-2000-040	Filler Screw	1
4	SQ20-2000-028	SQ20-2000-028	Special Washer	2
5	5905-00054-000	5905-00054-000	Seal	1
6	SQ20-2000-035	SQ20-2000-035	Release Valve	1
7	SQ20-2000-029	SQ20-2000-029	Gasket	2
8	G831-03200-000	G831-03200-000	Air Motor	1
9	A240-01000-000	A240-01000-000	Air Inlet Swivel	1
10	A240-02000-000	A240-02000-000	Hose Assy.	1
11	A240-02100-000	A240-02100-000	Air Hose	1
12	A240-02200-000	A240-02200-000	Lift Control Valve	1
13	SQ20-2000-017	SQ20-2000-017	Washer	1
14	SQ12-10000-000	SQ20-10000-000	Pump Cylinder	1
15	SQ20-2000-015	SQ20-2000-015	Pump Piston	1
16	SQ20-2000-011	SQ20-2000-011	Bolt	1
17	SQ20-2000-012	SQ20-2000-012	Pin	1
18	SQ20-2000-006	SQ20-2000-006	Handle Sleeve	1
19	SQ20-2000-010	SQ20-2000-010	Snap Pin	1
20	B10N-21000-000	B10N-21000-000	Handle Assembly	1
21	A240-02300-000	A240-02300-000	Air Coupler, Female 1/4 NPT	1
22	A240-02400-000	A240-02400-000	Air Coupler, Male 1/4 NPT	1
23	SQ20-2000-016	SQ20-2000-016	Piston, Air Motor (not shown in exploded drawing)	1
24	SQ20-2000-014	SQ20-2000-014	Nut	1
*	SQ12-2000-047	SQ20-2000-047	Seal Kit (includes #5, a~j)	-
-	G831-03210-000	G831-03210-000	Seal Kit, Air Motor	-

## ONE YEAR LIMITED WARRANTY

For a period of one (1) year from date of purchase, **SFA Companies** will repair or replace, at its option, without charge, any of its products, which fails due to a defect in material or workmanship under normal usage. This limited warranty is a consumer's exclusive remedy.

Performance of any obligation under this warranty may be obtained by returning the warranted product, freight prepaid, to **SFA Companies** Warranty Service Department, 10939 N. Pomona Ave., Kansas City, MO 64153.

Except where such limitations and exclusions are specifically prohibited by applicable law, (1) THE CONSUMER'S SOLE AND EXCLUSIVE REMEDY SHALL BE THE REPAIR OR REPLACEMENT OF DEFECTIVE PRODUCTS AS DESCRIBED ABOVE. (2) **SFA Companies** SHALL NOT BE LIABLE FOR ANY CONSEQUENTIAL OR INCIDENTAL DAMAGE OR LOSS WHATSOEVER. (3) ANY IMPLIED WARRANTIES, INCLUDING WITHOUT LIMITATION THE IMPLIED WARRANTIES OF MERCHANTABILITY AND FITNESS FOR A PARTICULAR PURPOSE, SHALL BE LIMITED TO ONE YEAR, OTHERWISE THE REPAIR, REPLACEMENT OR REFUND AS PROVIDED UNDER THIS EXPRESS LIMITED WARRANTY IS THE EXCLUSIVE REMEDY OF THE CONSUMER, AND IS PROVIDED IN LIEU OF ALL OTHER WARRANTIES, EXPRESS OR IMPLIED. (4) ANY MODIFICATION, ALTERATION, ABUSE, UNAUTHORIZED SERVICE OR ORNAMENTAL DESIGN VOIDS THIS WARRANTY AND IS NOT COVERED BY THIS WARRANTY.

Some states do not allow limitations on how long an implied warranty lasts, so the above limitation may not apply to you. Some states do not allow the exclusion or limitation of incidental or consequential damages, so the above limitation or exclusion may not apply to you. This warranty gives you specific legal rights, and you may also have other rights, which vary from state to state.



SFA Companies  
10939 N. Pomona Ave. Kansas City, MO 64153  
888-332-6419  
sales@omegalift.com

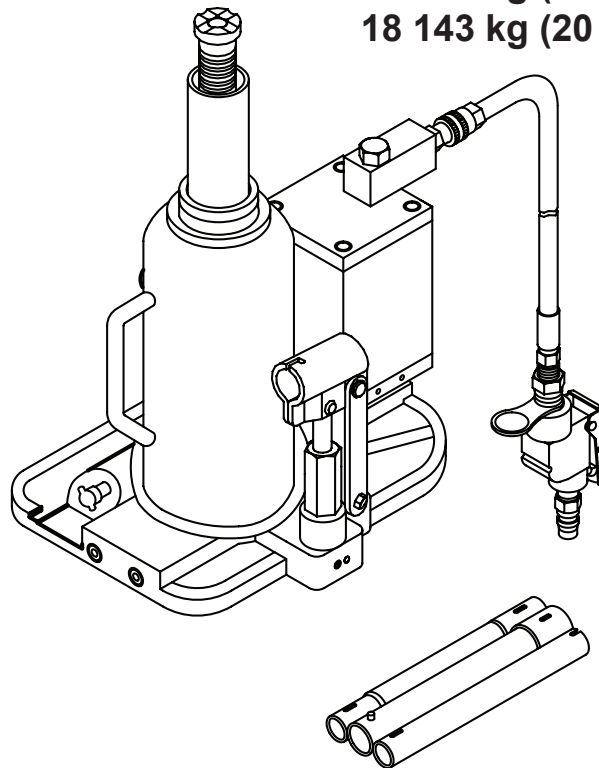


# OMEGALIFT™ EQUIPMENT

## Crics-bouteilles hydrauliques manuels ou à air

Modèles  
18124C  
18204C

Capacité  
10 886 kg (12 tonnes américaines)  
18 143 kg (20 tonnes américaines)



Modèles 18124C et 18204C



*Voici le symbole signalant un danger pour la sécurité. Il est utilisé pour vous alerter des dangers potentiels de blessures.*

*Respectez tous les messages de sécurité qui suivent ce symbole afin d'éviter les blessures et la mort.*

**SFA Companies**  
<http://www.omegalift.com>

Lisez ce manuel et observez toutes les consignes de sécurité et d'utilisation avant d'utiliser ce produit.

18124C-M0\_042016

## INFORMATIONS GÉNÉRALES ET INFORMATIONS RELATIVES À LA SÉCURITÉ

**Conservez ces instructions.** Pour votre sécurité, lisez, comprenez et respectez toutes les consignes fournies avec cet appareil ou se trouvant sur celui-ci avant de l'utiliser. Le propriétaire, ainsi que l'utilisateur, doit comprendre le fonctionnement de l'appareil, ses caractéristiques de fonctionnement et les consignes de sécurité associées à son utilisation avant de s'en servir. Ces personnes doivent aussi savoir que, pour utiliser ou réparer ce produit, il peut être nécessaire d'avoir des connaissances ou des habiletés spéciales. Avant que l'utilisation de cet appareil ne soit autorisée, il faut lire, dans la langue maternelle de l'opérateur, les instructions et les informations relatives à la sécurité pour qu'il en prenne connaissance et discuter de celles-ci avec lui, de manière à s'assurer qu'il les comprend. S'il y a des doutes quant à la façon adéquate et sécuritaire de se servir de l'appareil, il faut en cesser l'utilisation immédiatement.

**Inspectez avant chaque utilisation.** N'utilisez pas l'appareil s'il est dans un état anormal, comme lorsqu'il y a des soudures fissurées, des dommages ou des pièces manquantes ou mal fixées. Tout appareil qui semble être endommagé d'une quelconque façon, est usé ou fonctionne de manière anormale ne doit plus être utilisé jusqu'à ce qu'il soit réparé. Si le cric a été soumis ou s'il y a des raisons de croire qu'il a été soumis à une charge ou à un choc anormal, cessez de l'utiliser immédiatement jusqu'à ce qu'il soit inspecté à un centre de réparation autorisé par le fabricant (communiquez avec le distributeur ou le fabricant pour avoir une liste des endroits autorisés). Il est recommandé qu'une inspection annuelle soit faite à un centre autorisé. Il est possible de se procurer d'autres étiquettes et d'autres manuels auprès du fabricant.

## DESCRIPTION DU PRODUIT

Les crics-bouteilles hydrauliques pneumatiques d'Omega sont conçus pour soulever, et non supporter, une charge égale à leur capacité nominale, soit la masse d'une extrémité de véhicule. La charge doit être supportée par une paire de béquilles de cric à capacité nominale adéquate immédiatement après le levage. Assurez-vous que la source d'air peut envoyer un débit de 0,22 m<sup>3</sup>/min à une pression allant de 758 à 1 206 kPa (7,8 pi<sup>3</sup>/min pour une pression de 110 à 175 lb/po<sup>2</sup>) à chaque cric utilisé. Une pression minimale d'air de 1 034 kPa (150 lb/po<sup>2</sup>) est requise pour soulever une charge égale à la capacité nominale.

**⚠ AVERTISSEMENT :** *N'utilisez jamais un cric hydraulique comme seul dispositif de soutien. Après le levage, faites reposer immédiatement la charge soulevée sur une paire de béquilles de cric à capacité nominale adéquate.*

## PRÉPARATION

### Avant l'utilisation

1. Avant d'utiliser ce produit, lisez le manuel d'utilisation au complet et familiarisez-vous parfaitement avec le produit et ses composants, et identifiez les dangers associés à son utilisation.
2. Vérifiez que le produit et son utilisation sont compatibles. Si vous avez des doutes, appelez le soutien technique pour les produits Omega au 1 888 332-6419.
3. Assemblez le levier et assurez-vous que les agrafes-ressorts sont alignées sur les fentes correspondantes.
4. Afin de vous familiariser avec le fonctionnement de base du cric, utilisez l'extrémité de la poignée de levage avec une encoche pour enclencher et tourner la soupape de surpression :
  - a. Dans le sens *horaire* jusqu'à ce que vous sentiez une forte résistance au mouvement. C'est la position « **FERMÉE** » de la soupape de surpression utilisée pour soulever le vérin à piston plongeur.
  - b. Dans le sens *antihoraire*, mais pas plus d'un tour à partir de la position fermée. C'est la position « **OUVERTE** » de la soupape de surpression utilisée pour abaisser le vérin à piston plongeur.
5. Lorsque le point d'appui est complètement abaissé et que la soupape de surpression est fermée, pesez sur le levier. Si le bras de levage réagit immédiatement, le cric peut maintenant être utilisé. Si ce n'est pas le cas, suivez les instructions de la section **Purge de l'air emprisonné** ci-dessous.
6. Versez une cuillère à thé de lubrifiant de bonne qualité pour outil à air dans l'entrée de l'alimentation en air de la vanne de commande de levage. Branchez l'alimentation en air et ouvrez la vanne de commande de levage pendant 3 secondes pour distribuer le lubrifiant de façon uniforme.
7. Ce produit est doté du raccord populaire pour tuyau d'air 1/4 NPT. Lorsque vous installez un raccord pour tuyau d'air de votre choix, assurez-vous d'utiliser du ruban pour joints filetés ou du scellant lorsque vous faites l'entretien des branchements. Il est recommandé d'utiliser un dessiccateur d'air en ligne et un huileur d'air en ligne pour assurer un fonctionnement fiable sans problème.
8. Vérifiez que le levier fonctionne parfaitement et que la vis de rallonge peut être vissée ou dévissée facilement avant d'utiliser le cric. Remplacez les pièces et les assemblages usés ou endommagés seulement par des pièces de rechange autorisées par Omega.

### Purge de l'air emprisonné

Lorsque la soupape de surpression est à la position OUVERTE (étape 4 b. ci-dessus) et que le vérin à piston plongeur est à son niveau minimal, trouvez et enlevez la vis de remplissage d'huile. Insérez le levier dans la douille de la poignée, puis abaissez et levez le levier le plus possible de six à huit fois. Cela va faciliter la libération de tout air pressurisé pouvant être emprisonné dans le réservoir. Le niveau d'huile devrait se situer à la hauteur du fond du trou de remplissage d'huile. Remettez la vis.



## AVERTISSEMENT

- Lisez, comprenez et respectez toutes les instructions avant d'utiliser ce produit.
- Ne dépassez pas la capacité nominale.
- Utilisez le cric seulement sur des surfaces dures et de niveau.
- Cet appareil doit seulement être utilisé à des fins de levage. Immédiatement après le levage, faites en sorte que le véhicule soit supporté par un moyen adéquat.
- Utilisez le cric seulement aux points de levage indiqués par le fabricant du véhicule.
- Ne modifiez pas cet appareil.
- Utilisez seulement les accessoires et les adaptateurs fournis par le fabricant.
- Le non-respect des consignes peut entraîner des blessures et des dommages matériels.



## AVERTISSEMENT



Pour éviter un écrasement et les blessures en lien avec celui-ci :

- Ne travaillez jamais autour d'une charge, en dessous d'elle ou sur celle-ci, si elle est supportée seulement par un cric hydraulique.
- Utilisez toujours des béquilles de cric dont la capacité nominale est adéquate.
- Mettez des cales à l'avant et à l'arrière des pneus non soulevés.
- N'utilisez pas cet appareil pour soulever, mettre à niveau, abaisser, supporter ou déplacer une maison, une maison mobile, une caravane classique, une roulotte ou une structure d'édifice.
- Soyez vigilant et sobre lorsque vous utilisez ce produit. Ne vous en servez pas si vous avez consommé de l'alcool ou de la drogue.

## SPÉCIFICATIONS

Modèles	Dimensions de la base (L x l)	Diamètre du point d'appui	Hauteur min.	Hauteur max.	Levage hydraulique
18124C	20,0 x 16,19 cm (7-7/8 x 6-3/8 po)	4,13 cm (1-5/8 po)	24,13 cm (9-1/2 po)	46,36 cm (18-1/4 po)	13,97 cm (5-1/2 po)
18204C	21,59 x 18,10 cm (8-1/2 x 7-1/8 po)	4,76 cm (1-7/8 po)	24,77 cm (9-3/4 po)	47,30 cm (18-5/8 po)	12,7 cm (5 po)

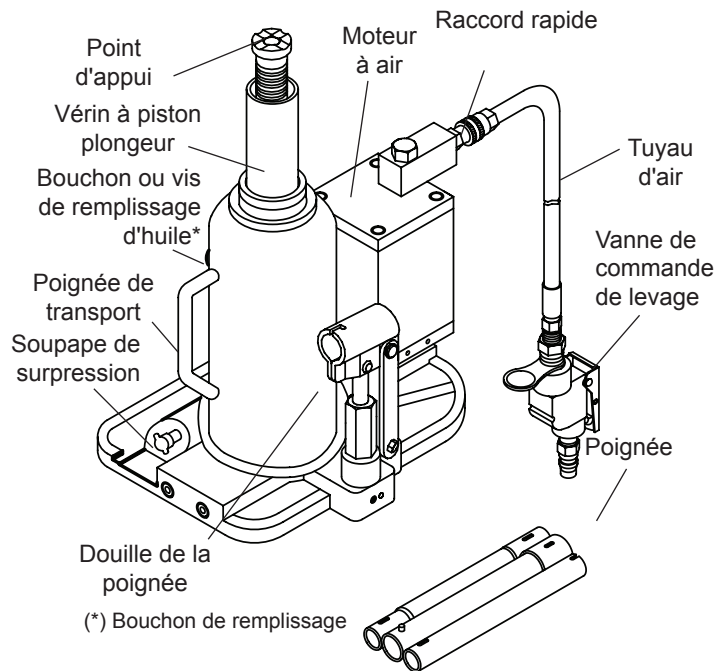


Figure 1 : Pièces des modèles 18124C et 18204C

## FONCTIONNEMENT

### Soulever le vérin à piston plongeur

1. Assemblez le levier et assurez-vous que les agrafes-ressorts sont alignées sur les fentes.
2. Immobilisez le véhicule en serrant le frein de stationnement et en plaçant des cales à l'avant et à l'arrière des roues pour empêcher les mouvements non désirés.
3. Trouvez et fermez la soupape de surpression en tournant le levier dans le sens horaire jusqu'à ce que vous sentiez une bonne résistance.
4. Vérifiez le point de levage et centrez le point d'appui du cric sous celui-ci.
5. Ouvrez la vanne de commande de levage ou insérez le levier dans la douille de la poignée et abaissez et levez le levier pour que le point d'appui entre en contact avec le point de levage. Pour soulever le véhicule, continuez à abaisser et à lever le levier jusqu'à ce que la charge atteigne la hauteur désirée. **NE METTEZ PAS LE CRIC SOUS PRESSION EN MÊME TEMPS QUE VOUS L'UTILISEZ DE MANIÈRE MANUELLE.**
6. Après le levage, faites reposer immédiatement la charge soulevée sur une paire de béquilles de cric à capacité nominale adéquate.

**AVIS :** Utilisez le levier fourni. Celui-ci permet d'enclencher la soupape de surpression et fait fonctionner la douille de la poignée de manière sécuritaire. Si le levier est usé, fonctionne de manière anormale ou si la soupape ne s'enclenche pas, **CESSEZ d'utiliser le cric jusqu'à ce vous ayez un levier de remplacement du fabricant.**

**AVIS :** N'utilisez pas de rallonge avec le tuyau d'air ou le levier.

### Abaisser

**⚠ AVERTISSEMENT :** Avant d'abaisser la charge, assurez-vous qu'il n'y a aucun outil ni personne en dessous de celle-ci. Ouvrez la soupape de surpression lentement. Plus le levier est tourné dans le sens antihoraire, plus la charge descend rapidement. Gardez le contrôle de la charge en tout temps.

1. Levez suffisamment la charge pour qu'elle ne soit plus en contact avec les béquilles de cric, puis enlevez ces dernières.
2. Tournez lentement le levier dans le sens antihoraire, mais ne faites pas plus d'un demi-tour. Si la charge ne descend pas :
  - a. Utilisez un autre cric pour soulever le véhicule suffisamment pour remettre les béquilles de cric.
  - b. Levez suffisamment la charge pour qu'elle ne soit plus en contact avec les béquilles de cric, puis enlevez le cric défectueux et ensuite les béquilles.
  - c. Abaissez la charge.
3. Après avoir retiré le cric, abaissez le vérin à piston plongeur et la douille de la poignée pour réduire l'exposition à la rouille et aux contaminants.

## ENTRETIEN

**AVIS :** Utilisez seulement de l'huile pour cric hydraulique de bonne qualité. Évitez de mélanger différents types de liquides et n'utilisez JAMAIS de liquide pour frein, d'huile de turbine, de liquide de transmission, d'huile moteur ou de glycérine. L'utilisation d'un liquide inapproprié peut entraîner une défaillance prématurée du cric et causer une chute potentielle soudaine et immédiate de charge. Il est recommandé d'utiliser de l'huile pour cric hydraulique de première qualité.

### Ajouter de l'huile

1. Lorsque le vérin à piston plongeur est à son niveau minimal et que le piston du levier est enfoncé au maximum, mettez le cric debout et à niveau. Enlevez la vis de remplissage d'huile.
2. Mettez de l'huile jusqu'à ce que son niveau soit juste en dessous du rebord du trou de remplissage d'huile. Remettez la vis.

### Changer l'huile

Afin d'obtenir une performance et une durée de vie optimales, remplacez complètement l'huile au moins une fois par année.

1. Lorsque le vérin à piston plongeur est à son niveau minimal et que le piston du levier est enfoncé au maximum, enlevez la vis de remplissage d'huile.
2. Posez le cric sur le côté et purgez le liquide en l'envoyant dans un contenant adéquat.

**AVIS :** Jetez l'huile hydraulique en respectant la réglementation environnementale locale.

3. Mettez de l'huile jusqu'à ce que son niveau soit juste en dessous du rebord du trou de remplissage d'huile. Remettez la vis.
4. Suivez la procédure de la section **Purge de l'air emprisonné**, p. 14.

### Lubrifier

1. Une lubrification périodique des points de pivotement avec de l'huile légère aide à prévenir la rouille et à assurer que les assemblages du levier bougent librement.
2. L'intérieur de la pompe à air devrait être lubrifié avant chaque utilisation. Utilisez un lubrifiant de bonne qualité pour outil à air. S'il n'y a pas d'huileur d'air en ligne, versez une cuillère à thé d'huile pour outil à air dans l'entrée d'air de la vanne de commande de levage. Faites fonctionner le cric à l'air comprimé pour distribuer entièrement l'huile dans le moteur à air.

### Nettoyer

Inspectez périodiquement le piston du levier et le vérin à piston plongeur pour voir s'il y a de la rouille ou de la corrosion. Nettoyez selon les besoins et essuyez avec un linge huileux.

**AVIS :** N'utilisez pas de papier sablé ni de matériau abrasif sur le piston du levier et le vérin à piston plongeur.

### Ranger

Lorsque le cric n'est pas utilisé, rangez-le, le piston du levier et le vérin à piston plongeur devant être à leur niveau minimal et l'alimentation en air débranchée.

## DÉPANNAGE

Problème	Causes possibles	Mesure corrective
Cric ne soulevant pas la charge	<ul style="list-style-type: none"><li>• Soupape de surpression qui n'est pas bien fermée</li><li>• Surcharge</li><li>• Pression d'air incorrecte</li></ul>	<ul style="list-style-type: none"><li>• Assurez-vous que la soupape est bien fermée.</li><li>• Remédiez au problème de surcharge.</li><li>• Assurez-vous que la pression d'air est adéquate.</li></ul>
Cric soulevant la charge mais qui redescend	<ul style="list-style-type: none"><li>• Soupape de surpression qui n'est pas bien fermée</li><li>• Surcharge</li><li>• Défaillance du vérin hydraulique</li></ul>	<ul style="list-style-type: none"><li>• Assurez-vous que la soupape est bien fermée.</li><li>• Remédiez au problème de surcharge.</li><li>• Communiquez avec le soutien technique d'Omega.</li></ul>
Cric ne descendant pas après avoir enlevé la charge	<ul style="list-style-type: none"><li>• Trop de liquide hydraulique dans le réservoir</li></ul>	<ul style="list-style-type: none"><li>• Assurez-vous que la charge est enlevée, puis purgez le liquide hydraulique pour qu'il soit au bon niveau.</li></ul>
Performance de levage médiocre	<ul style="list-style-type: none"><li>• Niveau de liquide hydraulique trop bas</li><li>• Air emprisonné dans le réservoir</li></ul>	<ul style="list-style-type: none"><li>• Assurez-vous que le niveau de liquide est adéquat.</li><li>• Suivez la procédure de la section <b>Purge de l'air emprisonné</b> à la page 14.</li></ul>
Le point d'appui ne s'élève pas au maximum	<ul style="list-style-type: none"><li>• Niveau de liquide hydraulique trop bas</li></ul>	<ul style="list-style-type: none"><li>• Assurez-vous que le niveau de liquide est adéquat.</li></ul>

## PIÈCES DE RECHANGE

Ce ne sont pas toutes les pièces du cric qui peuvent être remplacées, mais elles sont illustrées pour montrer leur emplacement ainsi que leur position pour l'assemblage. Lorsque vous commandez des pièces, fournissez le numéro du modèle, le numéro de série et la description de la pièce. Pour connaître les prix actuels, appelez-nous ou écrivez-nous : SFA Companies Inc., 10939 N. Pomona Ave., Kansas City, MO 64153, É.-U., téléphone : 1 888 332-6419, télécopieur : 1 816 891-6599, sales@omegalift.com, site Web d'Omega : <http://www.omegalift.com>.

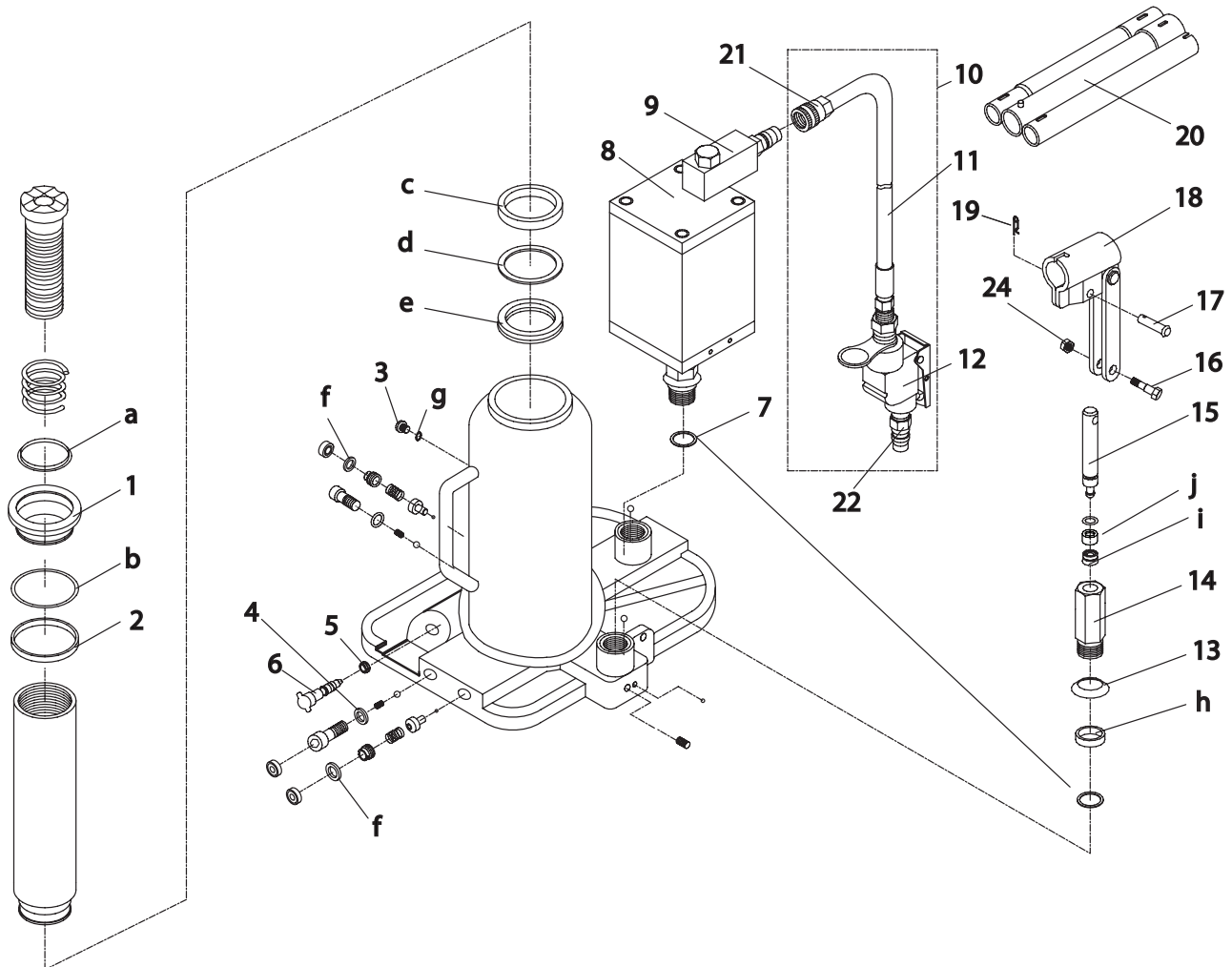


Figure 3 : Illustration des pièces de rechange des modèle 18124C et 18204C

Liste de pièces de rechange pour les modèles 18124C et 18204C

Pièce	N° de pièce pour le modèle : 18124C	N° de pièce pour le modèle : 18204C	Description	Qté
1	SQ12-1200-039	SQ20-2000-039	Fixation de vérin	1
2	SQ12-1200-036	SQ20-2000-036	Bague de guidage	1
3	SQ12-1200-040	SQ20-2000-040	Vis de remplissage d'huile	1
4	SQ20-2000-028	SQ20-2000-028	Rondelle spéciale	2
5	5905-00054-000	5905-00054-000	Joint	1
6	SQ20-2000-035	SQ20-2000-035	Soupape de surpression	1
7	SQ20-2000-029	SQ20-2000-029	Joint d'étanchéité	2
8	G831-03200-000	G831-03200-000	Moteur à air	1
9	A240-01000-000	A240-01000-000	Entrée d'air pivotante	1
10	A240-02000-000	A240-02000-000	Assemblage de tuyau	1
11	A240-02100-000	A240-02100-000	Tuyau d'air	1
12	A240-02200-000	A240-02200-000	Vanne de commande de levage	1
13	SQ20-2000-017	SQ20-2000-017	Rondelle	1
14	SQ12-10000-000	SQ20-10000-000	Vérin du levier	1
15	SQ20-2000-015	SQ20-2000-015	Piston du levier	1
16	SQ20-2000-011	SQ20-2000-011	Boulon	1
17	SQ20-2000-012	SQ20-2000-012	Goupille	1
18	SQ20-2000-006	SQ20-2000-006	Douille de la poignée	1
19	SQ20-2000-010	SQ20-2000-010	Goupille fendue	1
20	B10N-21000-000	B10N-21000-000	Assemblage de la poignée	1
21	A240-02300-000	A240-02300-000	Raccord femelle 1/4 NPT pour tuyau d'air	1
22	A240-02400-000	A240-02400-000	Raccord mâle 1/4 NPT pour tuyau d'air	1
23	SQ20-2000-016	SQ20-2000-016	Piston du moteur à air (not shown in exploded drawing)	1
24	SQ20-2000-014	SQ20-2000-014	Écrou	1
	SQ12-2000-047	SQ20-2000-047	Trousse de joints (comprend les joints #5, a~j)	-
	G831-03210-000	G831-03210-000	Trousse de joints du moteur à air	-

## GARANTIE LIMITÉE DE 1 AN

Pendant une période d'un (1) an, à partir de la date d'achat, **SFA Companies** réparera ou remplacera, à sa discrétion, sans frais, tous ses produits qui, utilisés dans des conditions normales, sont défectueux à cause d'un défaut de matériel ou de fabrication. Cette garantie limitée est le seul recours du consommateur.

Pour bénéficier du service offert par la garantie, il faut retourner le produit couvert par celle-ci, port payé, à **SFA Companies** Warranty Service Department, 10939 N. Pomona Ave., Kansas City, MO 64153, États-Unis.

Sauf dans les cas où les limitations et les exclusions décrites dans ce paragraphe sont spécifiquement interdites par la loi : (1) LE SEUL RECOURS DU CONSOMMATEUR EST DE FAIRE RÉPARER OU REMPLACER LES PRODUITS DÉFECTUEUX COMME DÉCRIT CI-DESSUS; (2) **SFA Companies** NE SERA PAS TENUE RESPONSABLE DES DOMMAGES CONSÉCUTIFS OU INDIRECTS OU DE PERTES QUELCONQUES; (3) TOUTE GARANTIE IMPLICITE, CE QUI INCLUT SANS LIMITATION LES GARANTIES IMPLICITES DE COMMERCIALITÉ ET D'ADAPTATION À UN USAGE PARTICULIER, SERA LIMITÉE À UN AN, À DÉFAUT DE QUOI LA RÉPARATION, LE REMPLACEMENT OU LE REMBOURSEMENT, SELON CETTE GARANTIE EXPRESSE LIMITÉE, CONSTITUE LE SEUL RECOURS DU CLIENT, ET REMPLACE TOUTE AUTRE GARANTIE, IMPLICITE OU EXPRESSE; (4) TOUTE MODIFICATION, ALTÉRATION, UTILISATION ABUSIVE OU NON AUTORISÉE OU DÉCORATION ORNEMENTALE ANNULE CETTE GARANTIE ET N'EST PAS COUVERTE PAR CELLE-CI.

Certaines provinces et certains États ne permettent pas de limiter la durée d'une garantie implicite et il est donc possible que la limitation décrite ci-dessus ne s'applique pas. Certaines provinces et certains États ne permettent pas d'exclure ou de limiter les dommages consécutifs ou indirects et il est donc possible que la limitation ou l'exclusion mentionnée ci-dessus ne s'applique pas. Cette garantie vous confère des droits particuliers et il est aussi possible que vous puissiez jouir d'autres droits qui varient d'une province à l'autre et d'un État à l'autre.

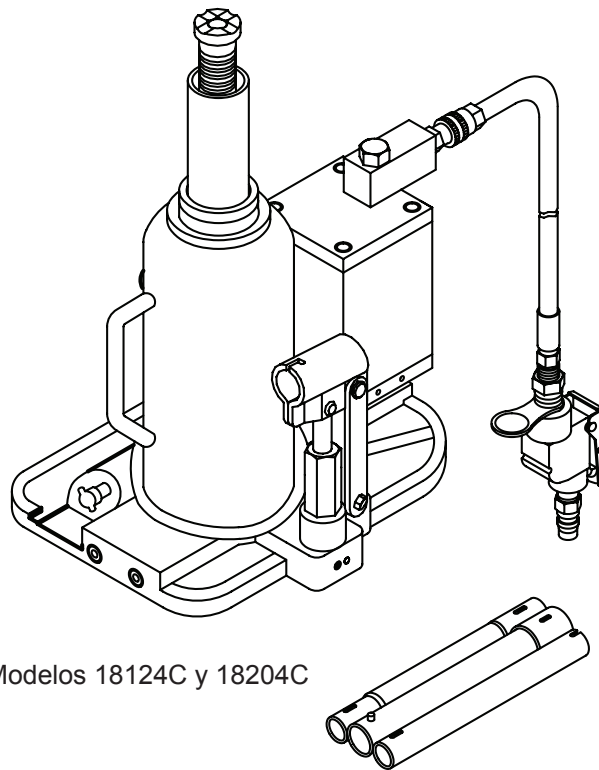


# OMEGALIFT™ EQUIPMENT

## Gatos hidráulicos de botella neumáticos/manuales

**Modelo**  
18124C  
18204C

**Capacidad**  
12 toneladas (24 000 libras)  
20 toneladas (40 000 libras)



Modelos 18124C y 18204C



*Este es el símbolo de alerta de seguridad. Se usa para alertar sobre peligros potenciales de lesiones personales.*

*Obedezca todos los mensajes de seguridad que tengan este símbolo, para evitar posibles lesiones personales o la muerte.*

**SFA Companies**

<http://www.omegalift.com>

**Lea este manual y respete todas las reglas de seguridad y las instrucciones de funcionamiento antes de usar este producto.**

18124C-M0\_042016

## INFORMACIÓN GENERAL Y DE SEGURIDAD

**Conserve estas instrucciones.** Para su seguridad, lea, comprenda y siga la información que viene con este dispositivo antes de su uso. El propietario u operador debe tener conocimientos sobre el dispositivo, sus características operativas y las instrucciones para un funcionamiento seguro antes de utilizar el equipo. El propietario u operador debe tener presente que el uso y la reparación de este producto podrían requerir habilidades y conocimientos especiales. Es preciso leer y analizar las instrucciones y la información de seguridad con el operador, en su lengua materna, a fin de asegurarse de que el operador comprenda su contenido antes de recibir autorización para el uso de este equipo. Si tiene dudas sobre el uso seguro y adecuado de este dispositivo, proceda a sacarlo de servicio de inmediato.

**Inspeccione el dispositivo antes de cada uso.** No use el dispositivo si presenta anomalías, como grietas en la soldadura, o piezas dañadas, flojas o faltantes. Debe sacar de servicio todo equipo que presente daños, de la naturaleza que fueren, esté gastado o funcione mal hasta su reparación. Si tiene la sospecha o la certeza de que el equipo fue sometido a una carga o sufrió un impacto anormal, interrumpa el uso de inmediato hasta que sea controlado por un centro de reparación autorizado por la fábrica (comuníquese con el distribuidor o fabricante para obtener una lista de los centros de reparación autorizados). Se recomienda realizar una inspección anual a cargo de un centro de reparaciones autorizado. Las etiquetas y los manuales del operador están disponibles por parte del fabricante.

## DESCRIPCIÓN DEL PRODUCTO

El gato hidráulico de botella Omega accionado por aire está diseñado para levantar, no soportar, cargas de capacidad nominal que consisten en un extremo del vehículo. Inmediatamente después del levantamiento, la carga debe apoyarse en un par de soportes para gato de capacidad nominal adecuada. Asegúrese de que la fuente de aire pueda dedicar 7,8 CFM a 110-175 psi (7,5 a 12 bar) a cada gato en funcionamiento. Se requiere una presión de aire mínima de 150 psi (10,3 bar) para aumentar la carga de capacidad nominal.

**⚠ ADVERTENCIA:** *Nunca use un gato hidráulico como dispositivo independiente. Luego de levantar el vehículo, apoye inmediatamente la carga elevada en un par de soportes para gato adecuados.*

## PREPARACIÓN

### Antes del uso

1. Antes de usar este producto, lea todo el manual del operador; procure familiarizarse en forma completa con el producto y sus componentes, y reconocer los peligros asociados a su uso.
2. Verifique que el producto y la aplicación sean compatibles; si tiene dudas, llame al Servicio técnico de Omega al (888) 332-6419.
3. Instale la manija; asegúrese de que los sujetadores de resorte se alineen con las ranuras.
4. Para familiarizarse con el funcionamiento básico, use el extremo muescado de la manija provista para accionar y girar la válvula de liberación:
  - a. *A la derecha* hasta que sienta una resistencia firme para continuar girando. Esta es la posición '**CERRADO**' de la válvula de liberación que se usa para elevar el pistón del ariete.
  - b. *A la izquierda*, pero no más de 1 giro con respecto a la posición de cerrado. Esta es la posición '**ABIERTO**' de la válvula de liberación que se usa para bajar el pistón del ariete.
5. Una vez que el asiento haya descendido por completo y la válvula de liberación esté cerrada, bombee la manija de funcionamiento. Si el brazo elevador responde de inmediato, el gato está listo para ser usado. Si el gato no responde, siga el procedimiento de la sección **Purgado/descarga del aire atrapado** a continuación.
6. Vierta una cucharadita de lubricante para herramientas de aire de buena calidad en la entrada del suministro de aire de la válvula de control de elevación. Conecte al suministro de aire y oprima la válvula de control de elevación durante 3 segundos para distribuir el lubricante de manera uniforme.
7. Este producto está equipado con el acoplador de aire común de 1/4" (0,6 cm) NPT. Cuando instale un acoplador de aire que no sea el de su elección, asegúrese de usar cinta o compuesto aislante para la reparación de las conexiones. Se recomienda el uso de un secador de aire y engrasador en línea para asegurar el funcionamiento fiable y libre de problemas.
8. Compruebe que la bomba funcione sin dificultades y que el tornillo de extensión se enrosque fácilmente hacia arriba y hacia abajo antes de ponerlo en servicio. Reemplace las piezas y los conjuntos desgastados o dañados solo con piezas de repuesto autorizadas de Omega.

### Purgado/descarga del aire atrapado

Coloque la válvula de liberación en la posición ABIERTO (4b anterior) y baje el pistón del ariete en forma completa; luego, ubique y retire el tornillo de llenado de aceite. Coloque la manija en el manguito de la manija; luego bombee de 6 a 8 recorridos completos. Esto ayudará a liberar el aire presurizado que pudiera estar atrapado dentro del depósito. El aceite debe estar a nivel con la parte inferior del orificio de llenado de aceite. Vuelva a colocar el tornillo de llenado de aceite.

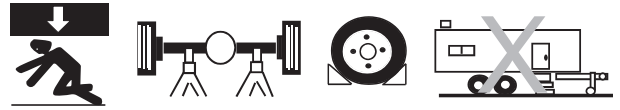


## ADVERTENCIA

- Estudie, comprenda y siga todas las instrucciones antes de poner en funcionamiento este dispositivo.
- No exceda la capacidad establecida.
- Utilícelo únicamente sobre superficies duras y uniformes.
- Es solo un dispositivo para levantar cargas. Inmediatamente después de levantar la carga, utilice los soportes adecuados.
- Use solamente las áreas del vehículo especificadas por el fabricante del vehículo.
- No deben hacerse modificaciones a este producto.
- Solo deben utilizarse accesorios y/o adaptadores suministrados por el fabricante.
- Si no se respetan estas indicaciones, podrían producirse lesiones personales o daños a la propiedad.



## ADVERTENCIA



Para evitar lesiones por opresión y otras lesiones:

- Nunca trabaje sobre, debajo o alrededor de una carga que solamente esté apoyada en un gato hidráulico.
- Siempre use soportes para gato de capacidad nominal adecuada.
- Bloquee cada rueda sin elevar en ambas direcciones.
- No utilice este dispositivo para levantar, nivelar, bajar, apoyar ni mover una casa, casa rodante, remolque de viaje, camioneta "camper" u otra estructura de construcción.
- Cuando utilice este equipo, procure estar atento y sobrio. No use el equipo si está bajo los efectos de drogas o bebidas alcohólicas.

## ESPECIFICACIONES

Modelo	Tamaño de la base (L x P)	Diámetro del asiento	Altura mín.	Altura máx.	Elevación hidráulica
18124C	7/8" x 6-3/8" (20,0 cm x 16,19 cm)	1-5/8" (4,13 cm)	9-1/2" (24,13 cm)	18-1/4" (47,36 cm)	5-1/2" (13,97 cm)
18204C	8-1/2" x 7-1/8" (21,59 cm x 18,1 cm)	1-7/8" (4,76 cm)	9-3/4" (24,77 cm)	18-5/8" (47,3 cm)	5" (12,7 cm)

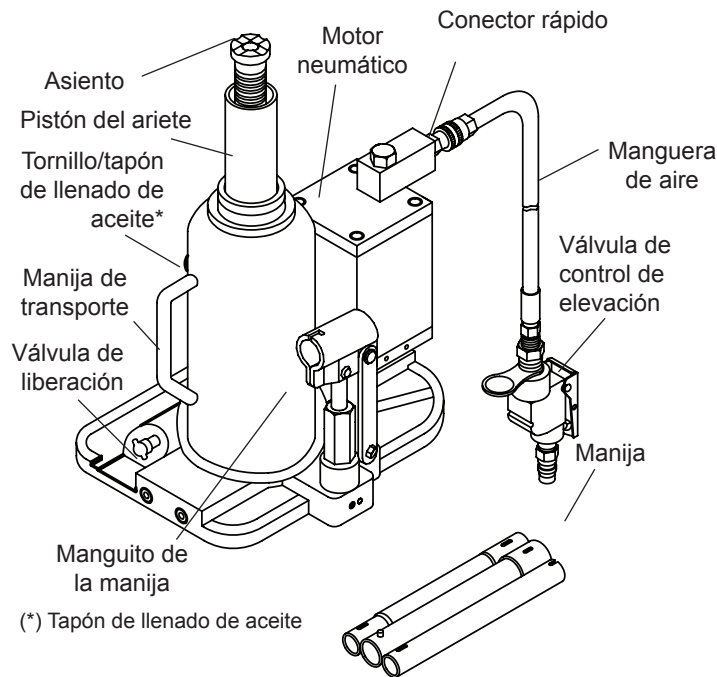


Figura 1: Nomenclatura de 18124C y 18204C

## FUNCIONAMIENTO

### Elevación del pistón del ariete

1. Instale la manija; asegúrese de que los sujetadores de resorte se alineen con las ranuras.
2. Estacione el vehículo, con el freno de emergencia accionado y las ruedas firmemente bloqueadas para evitar el movimiento accidental del vehículo.
3. Ubique y cierre la válvula de liberación; para hacerlo, gire la manija a la derecha hasta que sienta una resistencia firme.
4. Verifique el punto de elevación; centre el asiento del gato debajo del punto de elevación.
5. Oprima la válvula de control de elevación o inserte la manija en el manguito de la manija y la bomba hasta que toque el punto de elevación. Para la elevación, siga bombeando hasta que la carga alcance la altura deseada.  
NO HAGA FUNCIONAR EL APARATO MEDIANTE BOMBEO NEUMÁTICO Y MANUAL AL MISMO TIEMPO.
6. Transfiera inmediatamente la carga elevada a un par de soportes para gato con la carga nominal adecuada.

**AVISO:** Use la manija de la bomba provista. La manija proporcionada con este gato se enganchará de manera segura en la válvula de liberación y operará el manguito de la manija. Si la manija está desgastada, funciona de manera anormal o no se engancha de manera positiva en la válvula de liberación, **DETÉNGASE** e interrumpa el uso del gato hasta que pueda adquirirse una manija de reemplazo de la fábrica.

**AVISO:** No utilice extensiones en la manguera de aire o la manija de funcionamiento.

### Descenso

**⚠ ADVERTENCIA:** Despeje el área de herramientas y operarios antes de bajar la carga. Abra lentamente la válvula de liberación. Cuanto más gire la manija a la izquierda, más rápido descenderá la carga. Mantenga el control de la carga en todo momento.

1. Eleve la carga a una altura que permita despejar los soportes para gato, luego retire los soportes para gato.
2. Gire lentamente la manija a la izquierda, pero no más de 1/2 giro. Si la carga no desciende:
  - a. Use otro gato para elevar el vehículo a una altura que permita volver a instalar los soportes para gato.
  - b. Eleve la carga a una altura que permita despejar los soportes para gato, luego retire el gato afectado y los soportes.
  - c. Baje la carga.
3. Luego de retirar el gato de la parte de abajo de la carga, baje el ariete y el manguito de la manija para reducir la exposición al óxido y la contaminación.

## MANTENIMIENTO

**AVISO:** Use solo aceite para gatos hidráulicos de buena calidad. Evite mezclar diferentes tipos de líquidos y NUNCA use líquido de frenos, aceite de turbinas, líquido de transmisión, aceite de motor ni glicerina. El uso de un líquido inadecuado puede provocar fallas prematuras en el gato y posibles pérdidas de carga repentinas e inmediatas. Se recomienda el uso de aceite para gato hidráulico de alta calidad.

### Agregado de aceite

1. Una vez que el pistón del ariete haya descendido por completo y el pistón de la bomba se haya oprimido por completo, coloque el gato en posición vertical y a nivel. Retire el tornillo de llenado de aceite.
2. Llène con aceite hasta justo por debajo del borde del orificio del tapón de llenado de aceite. Vuelva a colocar el tornillo de llenado de aceite.

### Cambio de aceite

Para lograr el mejor rendimiento y una vida útil más prolongada, cambie el suministro completo de líquido por lo menos una vez al año.

1. Una vez que el pistón del ariete haya descendido por completo y el pistón de la bomba se ha oprimido por completo, quite el tornillo de llenado de aceite.
2. Coloque al gato de lado y descargue el líquido en un recipiente adecuado.

**AVISO:** Deseche el aceite hidráulico conforme a las reglamentaciones ambientales locales.

3. Llène con aceite hasta justo por debajo del borde del orificio de llenado de aceite. Vuelva a colocar el tornillo.
4. Realice el procedimiento de la sección **Purgado/descarga del aire atrapado**, página 26.

### Lubricación

1. La lubricación periódica con un aceite liviano en los puntos de giro ayudará a evitar la corrosión y garantizará que los conjuntos de la bomba se muevan libremente.
2. La bomba de aire debe lubricarse por dentro antes de cada uso. Use lubricante para herramientas de aire de buena calidad. Si no se usa un engrasador en línea, vierta una cucharadita de aceite para herramientas de aire en la entrada de la válvula de control de aire. Haga funcionar el gato con presión de aire para distribuir completamente el aceite dentro del motor neumático.

### Limpieza

Verifique periódicamente el pistón y el ariete de la bomba en busca de signos de oxidación o corrosión. Límpielos con un paño con aceite, según sea necesario.

**AVISO:** No use papel de lija ni materiales abrasivos en las superficies del ariete y el pistón de la bomba.

### Almacenamiento

Cuando no lo utilice, guarde el gato con el pistón de la bomba y el pistón del ariete totalmente contraídos y el suministro de aire desconectado.

## LOCALIZACIÓN Y SOLUCIÓN DE AVERÍAS

Síntoma	Causas posibles	Medidas correctivas
El gato no levanta la carga.	<ul style="list-style-type: none"> <li>• La válvula de liberación no está herméticamente cerrada.</li> <li>• Hay un estado de sobrecarga.</li> <li>• La presión de aire es inadecuada.</li> </ul>	<ul style="list-style-type: none"> <li>• Asegúrese de que la válvula de liberación esté herméticamente cerrada.</li> <li>• Solucione el estado de sobrecarga.</li> <li>• Asegúrese de que la presión de aire sea adecuada.</li> </ul>
El gato se eleva, pero no mantiene la presión.	<ul style="list-style-type: none"> <li>• La válvula de liberación no está herméticamente cerrada.</li> <li>• Hay un estado de sobrecarga.</li> <li>• La unidad hidráulica no funciona correctamente.</li> </ul>	<ul style="list-style-type: none"> <li>• Asegúrese de que la válvula de liberación esté herméticamente cerrada.</li> <li>• Solucione el estado de sobrecarga.</li> <li>• Póngase en contacto con un técnico de servicio de Omega.</li> </ul>
El gato no baja después de su descarga.	<ul style="list-style-type: none"> <li>• El depósito está lleno en exceso.</li> </ul>	<ul style="list-style-type: none"> <li>• Asegúrese de retirar la carga y descargue el líquido hasta el nivel adecuado.</li> </ul>
La capacidad de elevación es deficiente.	<ul style="list-style-type: none"> <li>• El nivel de líquido está bajo.</li> <li>• Hay aire atrapado en el sistema.</li> </ul>	<ul style="list-style-type: none"> <li>• Asegúrese de que el nivel de líquido sea el adecuado.</li> <li>• Siga el procedimiento indicado en <b>Purgado/descarga del aire atrapado</b>, en la página 26.</li> </ul>
La elevadora no se eleva al máximo de su capacidad.	<ul style="list-style-type: none"> <li>• El nivel de líquido está bajo.</li> </ul>	<ul style="list-style-type: none"> <li>• Asegúrese de que el nivel de líquido sea el adecuado.</li> </ul>



**Lista de piezas de repuesto para los modelos 18124C y 18204C**

Elemento	N.º de pieza para el modelo: 18124C	N.º de pieza para el modelo: 18204C	Descripción	Cant.
1	SQ12-1200-039	SQ20-2000-039	Fijador de cilindro	1
2	SQ12-1200-036	SQ20-2000-036	Anillo guía	1
3	SQ12-1200-040	SQ20-2000-040	Tornillo de llenado	1
4	SQ20-2000-028	SQ20-2000-028	Arandela especial	2
5	5905-00054-000	5905-00054-000	Sello	1
6	SQ20-2000-035	SQ20-2000-035	Válvula de liberación	1
7	SQ20-2000-029	SQ20-2000-029	Junta	2
8	G831-03200-000	G831-03200-000	Motor neumático	1
9	A240-01000-000	A240-01000-000	Admisión de aire giratoria	1
10	A240-02000-000	A240-02000-000	Conjunto de la manguera	1
11	A240-02100-000	A240-02100-000	Manguera de aire	1
12	A240-02200-000	A240-02200-000	Válvula de control de elevación	1
13	SQ20-2000-017	SQ20-2000-017	Arandela	1
14	SQ12-10000-000	SQ20-10000-000	Cilindro de la bomba	1
15	SQ20-2000-015	SQ20-2000-015	Pistón de la bomba	1
16	SQ20-2000-011	SQ20-2000-011	Perno	1
17	SQ20-2000-012	SQ20-2000-012	Pasador	1
18	SQ20-2000-006	SQ20-2000-006	Casquillo de la manija	1
19	SQ20-2000-010	SQ20-2000-010	Pasador de gancho	1
20	B10N-21000-000	B10N-21000-000	Conjunto de la manija	1
21	A240-02300-000	A240-02300-000	Acoplador de aire, hembra, 1/4" (0,6 cm) NPT	1
22	A240-02400-000	A240-02400-000	Acoplador de aire, macho, 1/4" (0,6 cm) NPT	1
23	SQ20-2000-016	SQ20-2000-016	Pistón, motor neumático (no se muestra en la ilustración de las piezas)	1
24	SQ20-2000-014	SQ20-2000-014	Tuerca	1
	SQ12-2000-047	SQ20-2000-047	Kit de aislamiento (incluye el n.º 5, A - J)	-
	G831-03210-000	G831-03210-000	Kit de aislamiento, Motor neumático	-

## GARANTÍA LIMITADA DE UN AÑO

Por el período de un (1) año desde la fecha de compra, **SFA Companies** reparará o reemplazará, a su discreción, sin costo alguno, cualquier producto que presente fallas debido a defectos de materiales o mano de obra bajo condiciones normales de uso. Esta garantía limitada es un recurso exclusivo del consumidor.

El cumplimiento de toda obligación en virtud de esta garantía puede obtenerse con el envío del producto en garantía, con flete abonado en origen, a **SFA Companies** Warranty Service Department, 10939 N. Pomona Ave., Kansas City, MO 64153.

Salvo que tales limitaciones y exclusiones estén específicamente prohibidas por las leyes vigentes, (1) EL ÚNICO Y EXCLUSIVO RECURSO DEL CONSUMIDOR SERÁ LA REPARACIÓN O EL REEMPLAZO DE LOS PRODUCTOS DEFECTUOSOS, COMO SE DETALLA ARRIBA. (2) **SFA Companies** NO SERÁ RESPONSABLE, EN NINGÚN CASO, POR DAÑOS O PÉRDIDAS EMERGENTES O INCIDENTALES. (3) TODA GARANTÍA IMPLÍCITA, LO QUE INCLUYE, ENTRE OTRAS, LAS GARANTÍAS IMPLÍCITAS DE COMERCIALIZACIÓN Y APTITUD PARA FINES ESPECÍFICOS, ESTARÁ LIMITADA A UN AÑO; DE OTRO MODO, LA REPARACIÓN, EL REEMPLAZO O LA DEVOLUCIÓN DE DINERO CONFORME A ESTA GARANTÍA LIMITADA EXPRESA SERÁ EL EXCLUSIVO RECURSO DEL CONSUMIDOR, Y SE OFRECE EN LUGAR DE CUALQUIER OTRA GARANTÍA, EXPRESA O IMPLÍCITA. (4) CUALQUIER MODIFICACIÓN, ALTERACIÓN, USO INDEBIDO, SERVICIO NO AUTORIZADO O DISEÑO ORNAMENTAL ANULARÁ ESTA GARANTÍA Y NO ESTARÁ CUBIERTO POR ESTA GARANTÍA.

Algunos estados no permiten la limitación de la duración de las garantías implícitas, por lo que las limitaciones anteriores pueden no aplicarse en su caso. Algunos estados no permiten excluir o limitar los daños emergentes o incidentales, por lo tanto esta limitación o exclusión puede no ser aplicable en su caso. Esta garantía le otorga derechos legales específicos. Usted puede tener además otros derechos que varían de un estado a otro.