



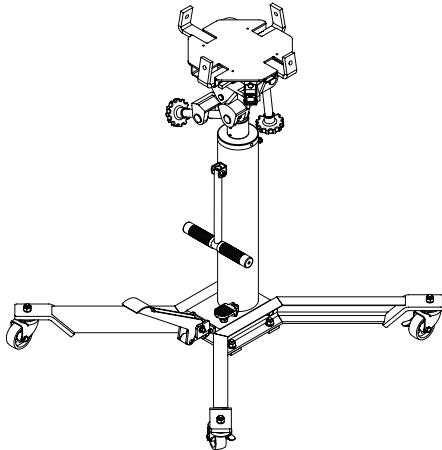
**Blackhawk  
Automotive™**

# Hydraulic Transmission Jacks, Telescopic Operating Instructions & Parts Manual

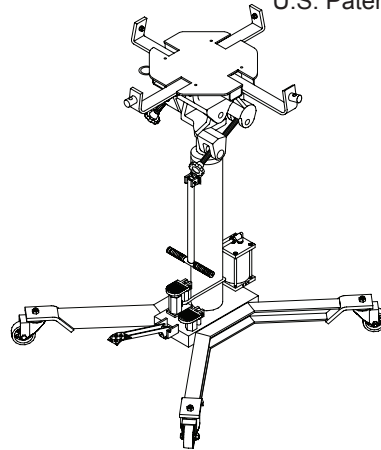
**Model**  
**BH7051**  
**BH7055** (Air Operated)

**Capacity**  
**1000 lbs.**  
**1000 lbs.**

U.S. Patent No. 6,012,377



Model BH7051




Model BH7055



*This is the safety alert symbol. It is used to alert you to potential personal injury hazards. Obey all safety messages that follow this symbol to avoid possible injury or death.*

**⚠ WARNING**

*To avoid crushing and related injuries:  
NEVER work on, under or around a  
load supported only by a hydraulic jack.  
Immediately transfer the load to an  
appropriate work station.*



⚠ **WARNING:** Cancer and Reproductive Harm.

⚠ **AVERTISSEMENT:** Cancer et dommages au système reproducteur.

⚠ **ADVERTENCIA:** Cáncer y daño reproductivo.

[www.P65Warnings.ca.gov](http://www.P65Warnings.ca.gov)

SFA Companies  
10939 N. Pomona Ave. Kansas City, MO 64153  
sales@blackhawk-automotive.com


**Read this manual and follow all the Safety Rules and Operating Instructions before using this product.**

BH7051-M0\_082018

## SAFETY AND GENERAL INFORMATION

**Save these instructions.** For your safety, read, understand, and follow the information provided with and on this device before using. The owner and/or operator shall have an understanding of the device, its operating characteristics and safety operating instructions before operating the equipment. The owner and/or operator shall be aware that use and repair of this product may require special skills and knowledge. Instructions and safety information shall be read to and discussed with the operator in the operator's native language, making sure that the operator comprehends their contents, before use of this equipment is authorized. If any doubt exists as to the safe and proper use of this device, remove from service immediately.

**Inspect before each use.** Do not use if abnormal conditions such as cracked welds, damaged, loose or missing parts are noted. Any equipment that appears damaged in any way, is found to be worn, or operates abnormally shall be removed from service until repaired. If the equipment has been or is suspected to have been subjected to an abnormal load or shock, immediately discontinue use until inspected by a factory authorized repair facility (contact distributor or manufacturer for list of authorized repair facilities). It is recommended that an annual inspection be made by an authorized repair facility. Labels and Operator's Manuals are available from the manufacturer.

 <b>WARNING</b>	
<ul style="list-style-type: none"><li>• <i>Study, understand, and follow all instructions before operating this device.</i></li><li>• <i>Do not exceed rated capacity.</i></li><li>• <i>Use only on hard, level surfaces.</i></li><li>• <i>Adequately support the vehicle before starting repairs.</i></li><li>• <i>Use of this product is limited to removal, installation, and transportation in the lowered position, of transmissions, transfer cases and transaxles.</i></li><li>• <i>No alterations shall be made to this product.</i></li><li>• <i>Only attachments and/or adaptors supplied by the manufacturer shall be used.</i></li><li>• <i>Failure to heed these markings may result in personal injury and/or property damage.</i></li></ul>	

## PRODUCT DESCRIPTION

The Hydraulic Transmission Jack is designed to be used as an aid in the removal and installation of automotive and light truck transmissions, transfer cases and transaxles. This telescopic style transmission jack is for use under an overhead lift or in a garage pit. For air option model BH7055, ensure that your air source can dedicate 7.8 CFM @ 110-175 psi to each jack operated.

## SPECIFICATIONS

Model	Capacity	Min. Height	Max. Height	Saddle Base	Extended Saddle Area	Jack Dimensions (L) x (W)
BH7051	1000 lb	39-7/8"	77-1/4"	11-1/2" x 11-1/2"	21" x 21"	33-1/8" x 35-1/2"
BH7055						

## PREPARATION

### Assembly (ref. Figure 1)

Tools required: wrench, 6mm Allen wrench, 18mm hex socket & torque wrench.

1. Major components included with this jack:
  - a. Hydraulic unit Assembly;
  - b. Saddle Assembly;
  - c. Two base half pieces with hardware.
2. Attach either one of the two base halves to the base of the hydraulic unit, then secure using 18mm bolts and washers provided. Apply the same procedure to the other base half. Use torque wrench to tighten to 30 lb•ft. Do not overtighten.
3. Place the socket of the saddle assembly onto the ram piston. Tighten set screw on the socket using 6mm Allen wrench.

### Before Use

1. Before using this product, read the operator's manual completely and familiarize yourself thoroughly with the product, its components and recognize the hazards associated with its use.
2. Verify that the product and application are compatible, if in doubt call Blackhawk Technical Service (888) 332-6419.
3. Press the release valve pedal to ensure that saddle is fully lowered. Remove shipping screw and replace with provided vent screw (*shipping screw is located above the oil filler screw*).
4. For air option model BH7055, pour a teaspoon of good quality, air tool lubricant into the air supply inlet of the lift control valve. Connect to air supply and operate for 3 seconds to evenly distribute lubricant.

**NOTICE:** The Model BH7055 is equipped with a 1/4" NPT air coupler. If installing a different air coupler, use thread tape or compound on all air connections. To ensure dependable operation, install an inline air dryer and oiler.

5. Ensure that jack rolls freely. Raise and lower the unloaded jack throughout the lifting range before putting into service to ensure the pump operates smoothly. Replace worn or damaged parts and assemblies with Blackhawk authorized replacement parts only.

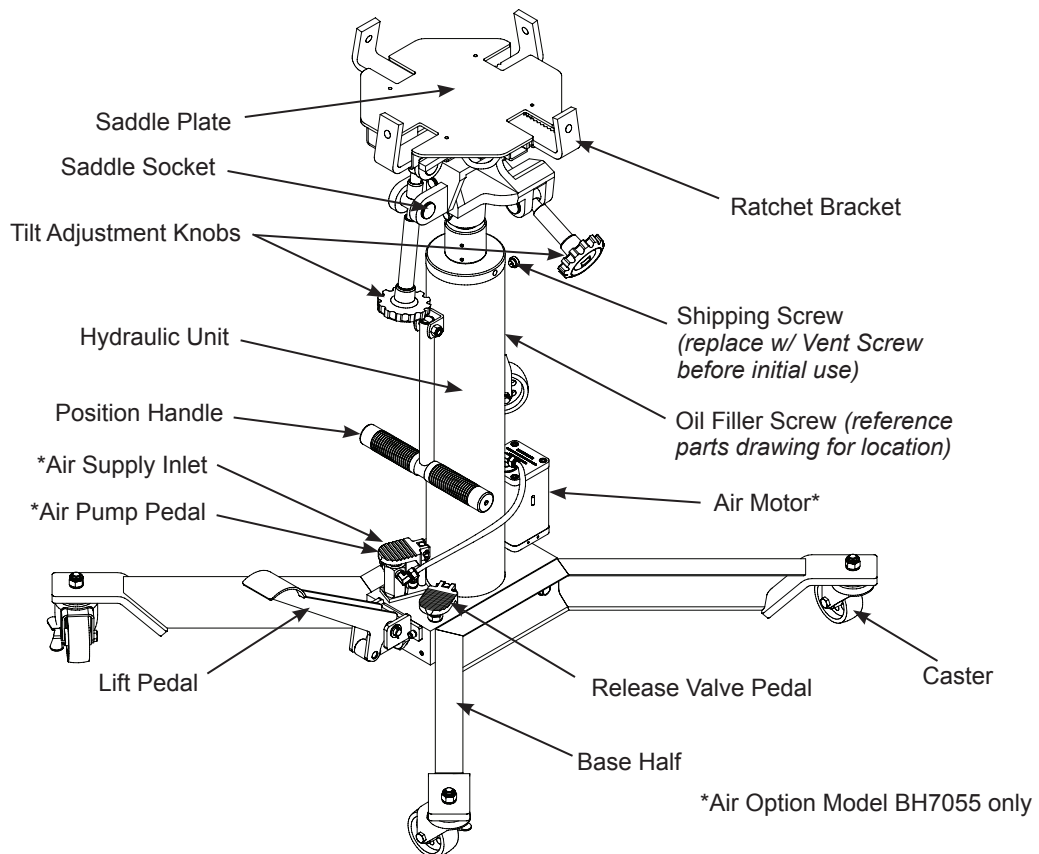
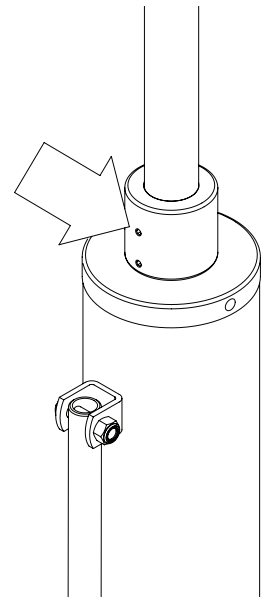


Figure 1- Typical Transmission Jack Components (BH7055 shown)

## PREPARATION *(cont.)*

### Venting trapped air procedure

1. Lower saddle to fully lowered position.
2. Unscrew upper set screw shown at right, (3 mm). Do not fully remove, loosen only enough for air to escape.
3. While screw is loose, pump jack slowly, forcing trapped air past set screw. Continue pumping until oil begins to exit vent hole.
4. Tighten vent set screw.
5. Pump to maximum saddle height, pump pedal should not continue to pump with ease when max height is reached.
6. While lowering saddle, re-release vent screw checking for oil to exit, not air.
7. Tighten vent screw.
8. If problems persist, repeat steps until all air is vented.



## OPERATION

Follow the instruction for removal and installation of transmission, transfer case or transaxle in accordance with the vehicle manufacturer's service manual.

### Raising saddle:

Pump foot pedal or press air pump pedal (*Model BH7055*) until saddle reaches desired position. Secure load with provided chains.

**NOTICE:** *Do not attempt to operate jack by air and by foot pump simultaneously.*

**⚠ WARNING:** *Ensure load center of gravity is centered on saddle and is stabilized before moving jack. An off-center transmission could cause jack to tip or flip over.*

**⚠ WARNING:** *Do not use this jack as a workstation.*

### Lowering saddle:

**⚠ WARNING:** *Clear all tools and personnel before lowering load. Engage release valve pedal slowly. Maintain control of load at all times.*

Apply downward pressure to the release valve pedal slowly and carefully.

## MAINTENANCE

**NOTICE:** *Use only good quality hydraulic jack oil. Avoid mixing different types of fluid and NEVER use brake fluid, turbine oil, transmission fluid, motor oil or glycerin. Improper fluid can cause premature failure of the jack and the potential for sudden and immediate loss of load. Premium hydraulic jack oil is recommended.*

### Changing oil

**NOTICE:** *For best performance and longest life, replace the complete fluid supply at least once per year.*

1. With saddle fully lowered, remove oil filler screw.
2. Lay the jack on its side and drain the fluid into a suitable container.

**NOTICE:** *Dispose of hydraulic fluid in accordance with local environmental regulations.*

3. Set jack in its level position. Fill reservoir with 2-1/2 quarts of premium hydraulic jack oil. Reinstall oil filler screw.
4. Perform **Venting trapped air procedure** (page 4).

**Lubrication**

1. A periodic coating of light lubricating oil to pivot points, axles and hinges will help to prevent rust and assure that casters and pump assemblies move freely.
2. For air operated models BH7055: When used on a daily basis, air pump model should be internally lubricated before each use. Use only good quality air tool lubricant. If no in-line oiler is used, pour a teaspoon of air tool oil into the air supply inlet. Operate the jack using the air feature to fully distribute the oil.

**Cleaning**

Periodically check the pump piston and ram for signs of rust or corrosion. Clean as needed and wipe with an oily cloth.

**NOTICE:** *Do not use sandpaper or abrasive material on pump piston or ram surfaces.*

**Storage**

When not in use, store the jack with saddle fully lowered.

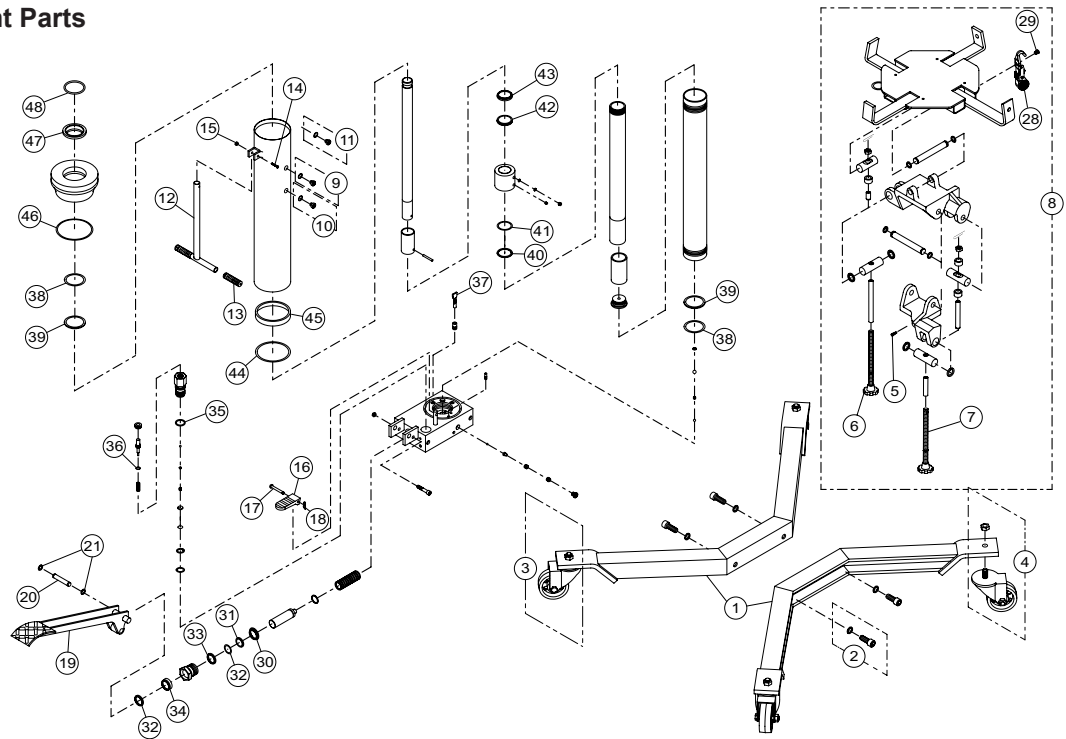
## TROUBLESHOOTING

Symptom	Possible Causes	Corrective Action
Jack will not lift load	<ul style="list-style-type: none"><li>• Load is too heavy</li></ul>	<ul style="list-style-type: none"><li>• Consider higher capacity jack</li></ul>
Jack will lift, but not maintain pressure	<ul style="list-style-type: none"><li>• Hydraulic unit malfunction</li></ul>	<ul style="list-style-type: none"><li>• Discontinue use, Contact Blackhawk Tech. Service</li></ul>
Jack will not lower after unloading	<ul style="list-style-type: none"><li>• Reservoir overfilled</li></ul>	<ul style="list-style-type: none"><li>• Ensure load is removed, then drain fluid to proper level</li></ul>
Poor lift performance	<ul style="list-style-type: none"><li>• Fluid level low</li><li>• Hydraulic unit malfunction</li></ul>	<ul style="list-style-type: none"><li>• Ensure proper fluid level</li><li>• Discontinue use, Contact Blackhawk Tech. Service</li></ul>
Jack will not lift to full extension	<ul style="list-style-type: none"><li>• Fluid level low</li></ul>	<ul style="list-style-type: none"><li>• Ensure proper fluid level</li></ul>

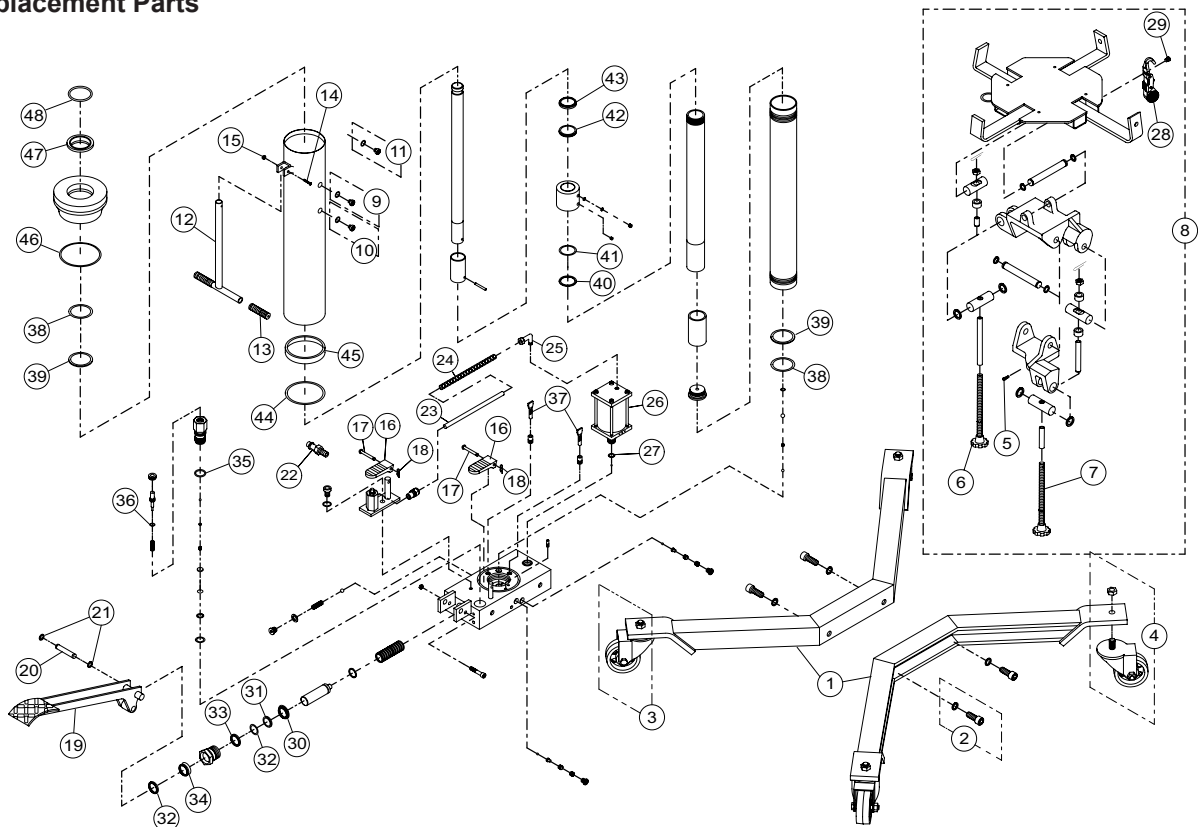
## REPLACEMENT PARTS *(page 6 & 7)*

Not all components of the jack are replacement items, but are illustrated as a convenient reference of location and position in the assembly sequence. When ordering parts, give Model number, serial number and parts description. Call or write for current pricing: SFA Companies, 10939 N. Pomona Ave. Kansas City, MO 64153, U.S.A. Tel: (816) 891-6390 Fax: (816) 891-6599 E-Mail: sales@blackhawk-automotive.com

### BH7051 Replacement Parts



### BH7055 Replacement Parts



**Replacement Parts List for Models BH7051 and BH7055:**

Item	Part No.	Description	Qty
1	G36-3-3301-108	Leg Assembly	2
2	G36-3-0511-104	Bolt Set (4 sets)	1
3	G36-3-5000-104	Caster, 3" dia.	2
4	G36-3-5001-106	Caster w/ Brake	2
5	649-1-0079-105	Socket Head Bolt	1
6	G36-3-2300-101	Tilt Screw Assy	1
7	G36-3-2301-103	Tilt Screw Assy	1
8	G36-4-4200-204	Saddle Head Assembly	1
9	G35-3-1207-109	Screw Assembly	1
10	324-4-1900-208	Screw Assembly	1
11	G36-3-1804-104	Vent Screw Assembly	1
12	G36-3-2100-103	Handle Assembly	1
13	506-9-0264-106	Handle Grip	2
14	653-1-0080-409	Bolt	1
15	651-2-0080-126	Nylon Nut	1
16	G36-6-1809-102	Release Valve Pedal (2 pc. for BH7055)	1
17	566-4-0070-202	Pin (2 pc. for BH7055)	1
18	513-5-0016-018	Retaining Pin (2 pc. for BH7055)	1
19	G36-3-1900-100	Lift Pedal	1
20	G37-6-1603-109	Axle	1
21	667-5-0127-005	Retaining Pin	2
22	A24-6-8101-107	Coupler, Male 1/4NPT (BH7055 only)	1
23	G36-6-2300-109	Air Hose (BH7055 only)	1
24	524-2-0123-108	Spring (BH7055 only)	1
25	G36-6-2302-103	Hose Connector, Elbow (BH7055 only)	1
26	G36-4-2000-105	Air Motor (BH7055 only)	1
27	515-3-0120-107	Copper Washer (BH7055 only)	1
28	G36-3-2303-107	Nylon Strap Assy	1
29	654-1-0100-103	Bolt	1

Item	Description	Qty
30	U-Cup, Ram	1
31	O-Ring	1
32	Back-up Washer	2
33	O-Ring	1
34	U-Cup	1
35	O-Ring	1
36	O-Ring	1
37	Filter	1
38	O-Ring	2
39	Back-up Washer	2
40	Back-up Washer	1
41	O-Ring	1
42	U-Cup	1
43	Seal	1
44	Seal	1
45	Back-up Washer	1
46	O-Ring	1
47	U-Cup	1
48	O-Ring	1
G36-3-9902-104 (BH7051) G36-3-9900-100 (BH7055)		Repair Kit for Hydraulic Unit (includes parts 30 thru 48)

## ONE YEAR LIMITED WARRANTY

For a period of one (1) year from date of purchase, SFA Companies will repair or replace, at its option, without charge, any of its products which fails due to a defect in material or workmanship under normal usage. This limited warranty is a consumer's exclusive remedy.

Performance of any obligation under this warranty may be obtained by returning the warranted product, freight prepaid, to SFA Companies Warranty Service Department, 10939 N. Pomona Ave., Kansas City, MO 64153.

Except where such limitations and exclusions are specifically prohibited by applicable law, (1) THE CONSUMER'S SOLE AND EXCLUSIVE REMEDY SHALL BE THE REPAIR OR REPLACEMENT OF DEFECTIVE PRODUCTS AS DESCRIBED ABOVE. (2) SFA Companies SHALL NOT BE LIABLE FOR ANY CONSEQUENTIAL OR INCIDENTAL DAMAGE OR LOSS WHATSOEVER. (3) ANY IMPLIED WARRANTIES, INCLUDING WITHOUT LIMITATION THE IMPLIED WARRANTIES OF MERCHANTABILITY AND FITNESS FOR A PARTICULAR PURPOSE, SHALL BE LIMITED TO ONE YEAR, OTHERWISE THE REPAIR, REPLACEMENT OR REFUND AS PROVIDED UNDER THIS EXPRESS LIMITED WARRANTY IS THE EXCLUSIVE REMEDY OF THE CONSUMER, AND IS PROVIDED IN LIEU OF ALL OTHER WARRANTIES, EXPRESS OR IMPLIED. (4) ANY MODIFICATION, ALTERATION, ABUSE, UNAUTHORIZED SERVICE OR ORNAMENTAL DESIGN VOIDS THIS WARRANTY AND IS NOT COVERED BY THIS WARRANTY.

Some states do not allow limitations on how long an implied warranty lasts, so the above limitation may not apply to you. Some states do not allow the exclusion or limitation of incidental or consequential damages, so the above limitation or exclusion may not apply to you. This warranty gives you specific legal rights, and you may also have other rights, which vary from state to state.



SFA Companies  
10939 N. Pomona Ave. Kansas City, MO 64153  
816-891-6390  
sales@blackhawk-automotive.com





**Blackhawk  
Automotive**

## Crics hydrauliques télescopiques pour transmissions

Manuel des consignes d'utilisation et des pièces

**Modèles**

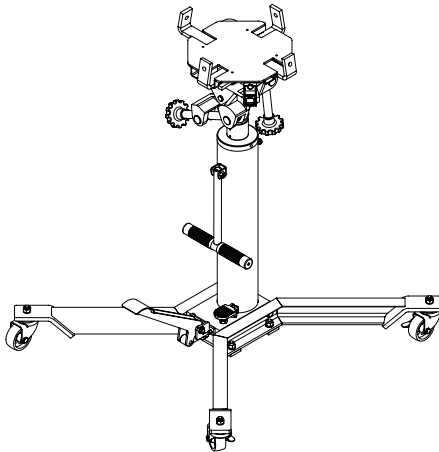
**BH7051**

**BH7055** (*Pneumatique*)

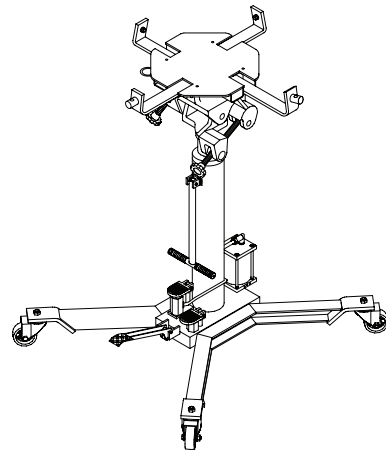
**Capacité**

**454 kg (1 000 lb)**

**454 kg (1 000 lb)**



Modèle BH7051



Modèle BH7055

Brevet américain n° 6,012,377



Voici le symbole signalant un danger pour la sécurité. Il est utilisé pour vous alerter des dangers potentiels de blessures.

Respectez tous les messages de sécurité qui suivent ce symbole afin d'éviter les blessures et la mort.

### **AVERTISSEMENT**



Pour éviter un écrasement et les blessures en lien avec celui-ci :

Ne travaillez JAMAIS autour d'une charge, en dessous d'elle ou sur celle-ci, si elle est supportée seulement par un cric hydraulique. Faites reposer la charge immédiatement sur l'équipement d'un poste de travail approprié.

SFA Companies  
10939 N. Pomona Ave.  
Kansas City, MO 64153  
sales@blackhawk-automotive.com

Lisez ce manuel et observez toutes les consignes de sécurité et d'utilisation avant d'utiliser ce produit.

BH7051-M0\_082018

## INFORMATIONS GÉNÉRALES ET INFORMATIONS RELATIVES À LA SÉCURITÉ

**Conservez ces instructions.** Pour votre sécurité, lisez, comprenez et respectez toutes les consignes fournies avec cet appareil ou se trouvant sur celui-ci avant de l'utiliser. Le propriétaire, ainsi que l'utilisateur, doit comprendre le fonctionnement de l'appareil, ses caractéristiques de fonctionnement et les consignes de sécurité associées à son utilisation avant de s'en servir. Ces personnes doivent aussi savoir que, pour utiliser ou réparer ce produit, il peut être nécessaire d'avoir des connaissances ou des habiletés spéciales. Avant que l'utilisation de cet appareil ne soit autorisée, il faut lire, dans la langue maternelle de l'opérateur, les instructions et les informations relatives à la sécurité pour qu'il en prenne connaissance et discuter de celles-ci avec lui, de manière à s'assurer qu'il les comprend. S'il y a des doutes quant à la façon adéquate et sécuritaire de se servir de l'appareil, il faut en cesser l'utilisation immédiatement.

**Inspectez avant chaque utilisation.** N'utilisez pas l'appareil s'il est dans un état anormal, comme lorsqu'il y a des soudures fissurées, des dommages ou des pièces manquantes ou mal fixées. Tout appareil qui semble être endommagé d'une quelconque façon, est usé ou fonctionne de manière anormale ne doit plus être utilisé jusqu'à ce qu'il soit réparé. Si le cric a été soumis ou s'il y a des raisons de croire qu'il a été soumis à une charge ou à un choc anormal, cessez de l'utiliser immédiatement jusqu'à ce qu'il soit inspecté à un centre de réparation autorisé par le fabricant (communiquez avec le distributeur ou le fabricant pour avoir une liste des endroits autorisés). Il est recommandé qu'une inspection annuelle soit faite à un centre autorisé. Il est possible de se procurer d'autres étiquettes et d'autres manuels auprès du fabricant.

 <b>AVERTISSEMENT</b>	
<ul style="list-style-type: none"><li>• <i>Lisez, comprenez et respectez toutes les instructions avant d'utiliser ce produit.</i></li><li>• <i>Ne dépassez pas la capacité nominale.</i></li><li>• <i>N'utilisez l'appareil que sur des surfaces dures et de niveau.</i></li><li>• <i>Soutenez le véhicule de manière adéquate avant de commencer à faire les réparations.</i></li><li>• <i>Ce produit doit seulement être utilisé pour enlever, installer et transporter en position basse des transmissions, des boîtes de transfert et des boîtes-ponts.</i></li><li>• <i>Ne modifiez pas cet appareil.</i></li><li>• <i>Utilisez seulement les accessoires et les adaptateurs fournis par le fabricant.</i></li><li>• <i>Le non-respect des consignes peut entraîner des blessures et des dommages matériels.</i></li></ul>	

## DESCRIPTION DU PRODUIT

Le cric hydraulique pour transmission est conçu pour faciliter l'enlèvement et l'installation de transmissions, de boîtes de transfert et de boîtes-ponts d'automobiles et de véhicules utilitaires légers. Ce cric télescopique pour transmission est conçu pour être utilisé en dessous d'un pont élévateur ou dans une fosse de garage. Pour le modèle pneumatique BH7055, assurez-vous que la source d'alimentation en air peut envoyer un débit de 0,22 m<sup>3</sup>/min à une pression allant de 758 à 1 206 kPa (7,8 pi<sup>3</sup>/min pour une pression de 110 à 175 lb/po<sup>2</sup>) pour chaque cric utilisé.

## SPÉCIFICATIONS

Modèles	Capacité	Hauteur min.	Hauteur max.	Base du point d'appui	Aire de point d'appui agrandie	Dimensions du cric (L) x (l)
BH7051	454 kg	101,3 cm	196,5 cm	29,21 x 29,21 cm	53,34 x 53,34 cm	84,14 x 90,17 cm
BH7055	(1 000 lb)	(39-7/8 po)	(77-1/4 po)	(11-1/2 x 11-1/2 po)	(21 x 21 po)	(33-1/8 x 35-1/2 po)

# PRÉPARATION

## Assemblage (Voir la figure 1.)

Outils requis : clé, clé Allen 6 mm, clé dynamométrique avec douilles hexagonales de 18 mm

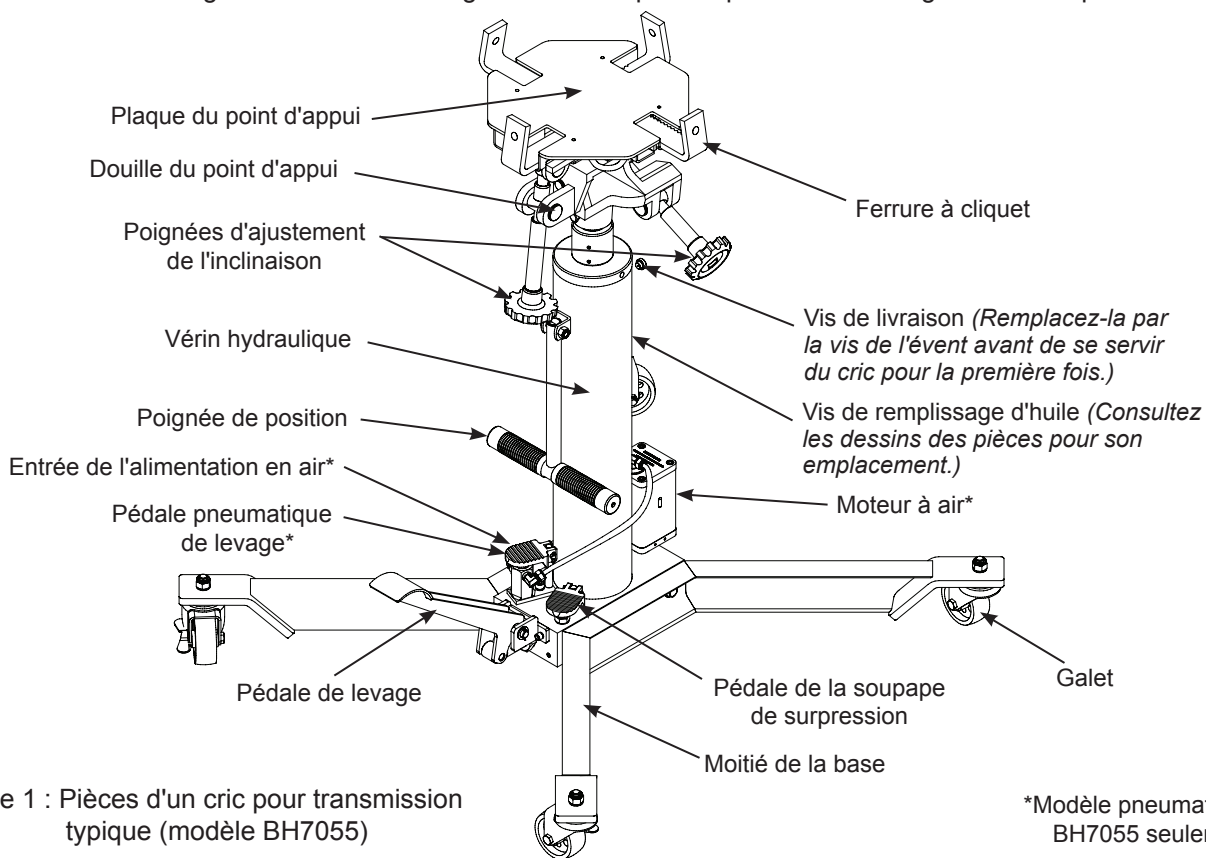
1. Composants principaux de ce cric :
  - a. Assemblage du vérin hydraulique
  - b. Assemblage du point d'appui
  - c. Base en deux moitiés avec quincaillerie
2. Fixez l'une des deux moitiés de la base à la base du vérin hydraulique, puis serrez le tout à l'aide des rondelles et des boulons de 18 mm fournis. Faites de même avec l'autre moitié de la base. Utilisez la clé dynamométrique pour faire un serrage de 40,7 N•m (30 lb-pi). Ne les serrez pas trop.
3. Placez la douille de l'assemblage du point d'appui sur le piston plongeur. Serrez la vis de pression de la douille à l'aide de la clé Allen de 6 mm.

## Avant l'utilisation

1. Avant d'utiliser ce produit, lisez le manuel d'utilisation au complet et familiarisez-vous parfaitement avec le produit et ses composants, et identifiez les dangers associés à son utilisation.
2. Vérifiez que le produit et son utilisation sont compatibles. Si vous avez des doutes, appelez le soutien technique pour les produits Blackhawk au 1 888 332-6419.
3. Appuyez sur la pédale de la soupape de surpression pour vous assurer que le point d'appui est à son niveau le plus bas. Enlevez la vis de livraison et remplacez-la par la vis de l'évent (*la vis de livraison est située au-dessus de la vis de remplissage d'huile*).
4. Pour le modèle pneumatique BH7055, versez une cuillerée à thé de lubrifiant de bonne qualité pour outil à air dans l'entrée de l'alimentation en air de la vanne de commande de levage. Branchez l'alimentation en air et faites fonctionner le cric pendant 3 secondes pour distribuer le lubrifiant de façon uniforme.

**AVIS :** Le modèle BH7055 est doté du raccord 1/4 po NPT pour tuyau d'air. Si vous installez un raccord pour tuyau d'air différent, mettez du ruban pour joints filetés ou du scellant sur les filets de tous les branchements pneumatiques. Pour assurer un fonctionnement fiable, installez un dessiccateur d'air en ligne et un huileur d'air en ligne.

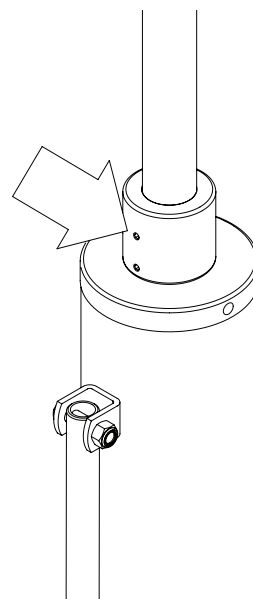
5. Assurez-vous que le cric fonctionne en douceur. Avant d'utiliser le cric, pour s'assurer que le mécanisme fonctionne en douceur, levez le point d'appui à son niveau maximal et abaissez-le à son niveau minimal, sans charge. Remplacez les pièces et les assemblages usés ou endommagés seulement par des pièces de rechange autorisées par Blackhawk.



## PRÉPARATION (Suite)

### Purge de l'air emprisonné

1. Faites descendre le point d'appui à son niveau minimal.
2. Dévissez la vis de pression supérieure comme illustré sur l'image à droite (3 mm). Ne la dévissez pas complètement, c'est-à-dire juste assez pour que l'air puisse s'échapper.
3. Pendant que la vis est dévissée, appuyez sur la pédale de levage lentement pour que l'air emprisonné sorte par le trou de la vis de pression. Continuez jusqu'à ce que de l'huile commence à sortir du trou d'évent.
4. Serrez la vis de pression du trou d'évent.
5. Faites monter le point d'appui au niveau maximal. Il devrait être difficile d'appuyer sur la pédale lorsque la hauteur maximale est atteinte.
6. Tout en faisant descendre le point d'appui, desserrez la vis de l'évent de nouveau pour voir s'il y a de l'huile qui sort et non de l'air.
7. Resserrez la vis de l'évent.
8. Si le problème persiste, répétez la procédure jusqu'à ce que l'air soit évacué au complet.



## FONCTIONNEMENT

Suivez les instructions pour enlever ou installer une transmission, une boîte de transfert ou une boîte-pont en respectant les indications du manuel du propriétaire fourni par le fabricant du véhicule.

### Soulever le point d'appui :

Appuyez sur la pédale de levage ou la pédale pneumatique de levage (*modèle BH7055*) jusqu'à ce que le point d'appui atteigne la position désirée. Attachez la charge avec les chaînes fournies.

**AVIS :** *N'utilisez pas la pédale de levage et la pédale pneumatique de levage en même temps.*

**⚠ AVERTISSEMENT :** *Assurez-vous que le centre de masse est centré sur le point d'appui et qu'il est stable avant de déplacer le cric. Une transmission qui ne se trouve pas au centre pourrait faire basculer le cric.*

**⚠ AVERTISSEMENT :** *N'utilisez pas ce cric comme un poste de travail.*

### Abaisser le point d'appui :

**⚠ AVERTISSEMENT :** *Avant d'abaisser la charge, assurez-vous qu'il n'y a aucun outil ni personne en dessous de celle-ci. Appuyez lentement sur la pédale de la soupape de surpression. Gardez le contrôle de la charge en tout temps.*

Exercez lentement une pression vers le bas, sur la pédale de la soupape, et ce, avec précaution.

## ENTRETIEN

**AVIS :** *Utilisez seulement de l'huile pour cric hydraulique de bonne qualité. Évitez de mélanger différents types de liquides et n'utilisez JAMAIS de liquide pour frein, d'huile de turbine, de liquide de transmission, d'huile moteur ou de glycérine. L'utilisation d'un liquide inapproprié peut entraîner une défaillance prématurée du cric et causer une chute potentielle soudaine et immédiate de charge. Il est recommandé d'utiliser de l'huile pour cric hydraulique de première qualité.*

### Changer l'huile

**AVIS :** *Afin d'obtenir une performance et une durée de vie optimales, remplacez complètement l'huile au moins une fois par année.*

1. Lorsque le point d'appui est à son niveau minimal, enlevez la vis de remplissage d'huile.
2. Posez le cric sur le côté et purgez le liquide en l'envoyant dans un contenant adéquat.

**AVIS :** Jetez le liquide hydraulique en respectant la réglementation environnementale locale.

3. Mettez le cric à niveau. Ajoutez de l'huile dans le réservoir en mettant 2,37 l (2,5 pintes) d'huile hydraulique pour cric de première qualité. Remettez la vis.
4. Suivez la procédure de la section **Purge de l'air emprisonné** (page 14).

#### **Lubrifier**

1. Une lubrification périodique des points de pivotement, des axes et des charnières faite avec de l'huile légère aide à prévenir la rouille et à assurer que les galets et les assemblages du levier bougent librement.
2. Pour le modèle BH7055 pneumatique : L'intérieur d'un cric pneumatique utilisé quotidiennement devrait être lubrifié avant chaque utilisation. Utilisez seulement un lubrifiant de bonne qualité pour outil à air. S'il n'y a pas d'huileur d'air en ligne, versez une cuillerée à thé d'huile pour outil à air dans l'entrée d'air. Faites fonctionner le cric à l'air comprimé afin de complètement distribuer l'huile.

#### **Nettoyer**

Inspectez périodiquement le piston du levier et le vérin à piston plongeur pour voir s'il y a de la rouille ou de la corrosion. Nettoyez selon les besoins et essuyez avec un linge huileux.

**AVIS :** N'utilisez pas de papier sablé ni de matériau abrasif sur le piston du levier et le vérin à piston plongeur.

#### **Ranger**

Lorsque le cric n'est pas utilisé, rangez-le, son point d'appui devant être à son niveau minimal.

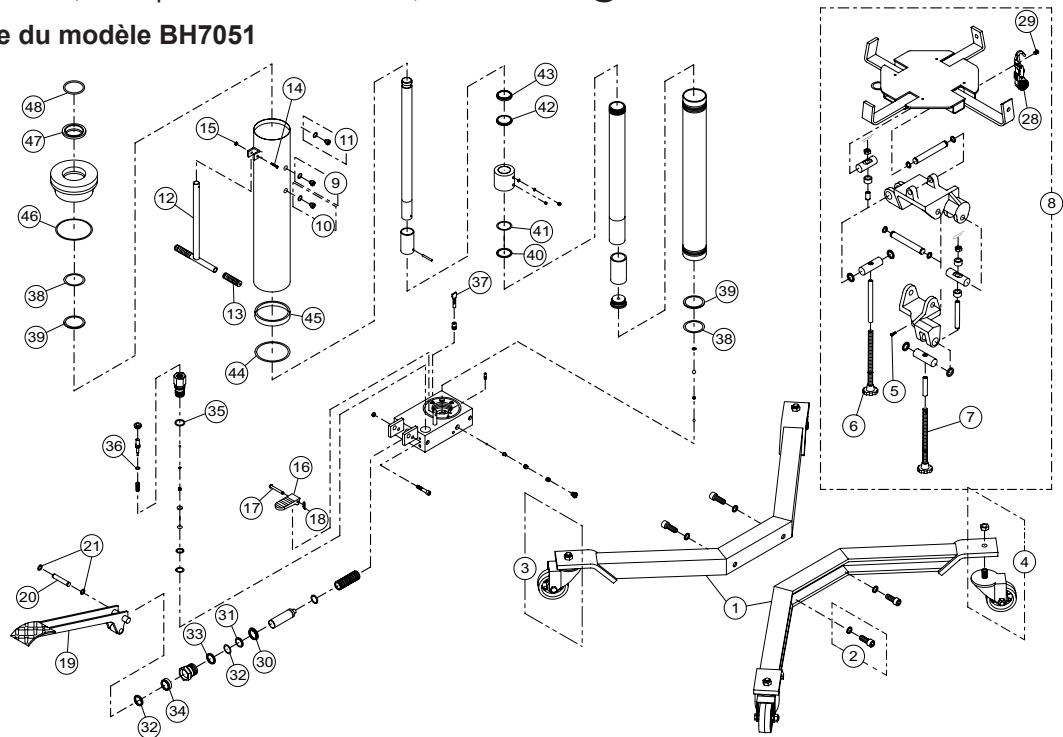
## **DÉPANNAGE**

<b>Problème</b>	<b>Causes possibles</b>	<b>Mesure corrective</b>
Cric ne soulevant pas la charge	<ul style="list-style-type: none"><li>• Charge trop pesante</li></ul>	<ul style="list-style-type: none"><li>• Utilisez un cric à plus grande capacité.</li></ul>
Cric soulevant la charge mais qui redescend	<ul style="list-style-type: none"><li>• Défaillance du vérin hydraulique</li></ul>	<ul style="list-style-type: none"><li>• Cessez de l'utiliser et communiquez avec le soutien technique d'Blackhawk.</li></ul>
Cric ne descendant pas après avoir enlevé la charge	<ul style="list-style-type: none"><li>• Trop de liquide hydraulique dans le réservoir</li></ul>	<ul style="list-style-type: none"><li>• Assurez-vous que la charge est enlevée, puis purgez le liquide hydraulique pour qu'il soit au bon niveau.</li></ul>
Performance de levage médiocre	<ul style="list-style-type: none"><li>• Niveau de liquide hydraulique trop bas</li><li>• Défaillance du vérin hydraulique</li></ul>	<ul style="list-style-type: none"><li>• Assurez-vous que le niveau de liquide est adéquat.</li><li>• Cessez de l'utiliser et communiquez avec le soutien technique d'Blackhawk.</li></ul>
Le point d'appui ne s'élève pas au maximum	<ul style="list-style-type: none"><li>• Niveau de liquide hydraulique trop bas</li></ul>	<ul style="list-style-type: none"><li>• Assurez-vous que le niveau de liquide est adéquat.</li></ul>

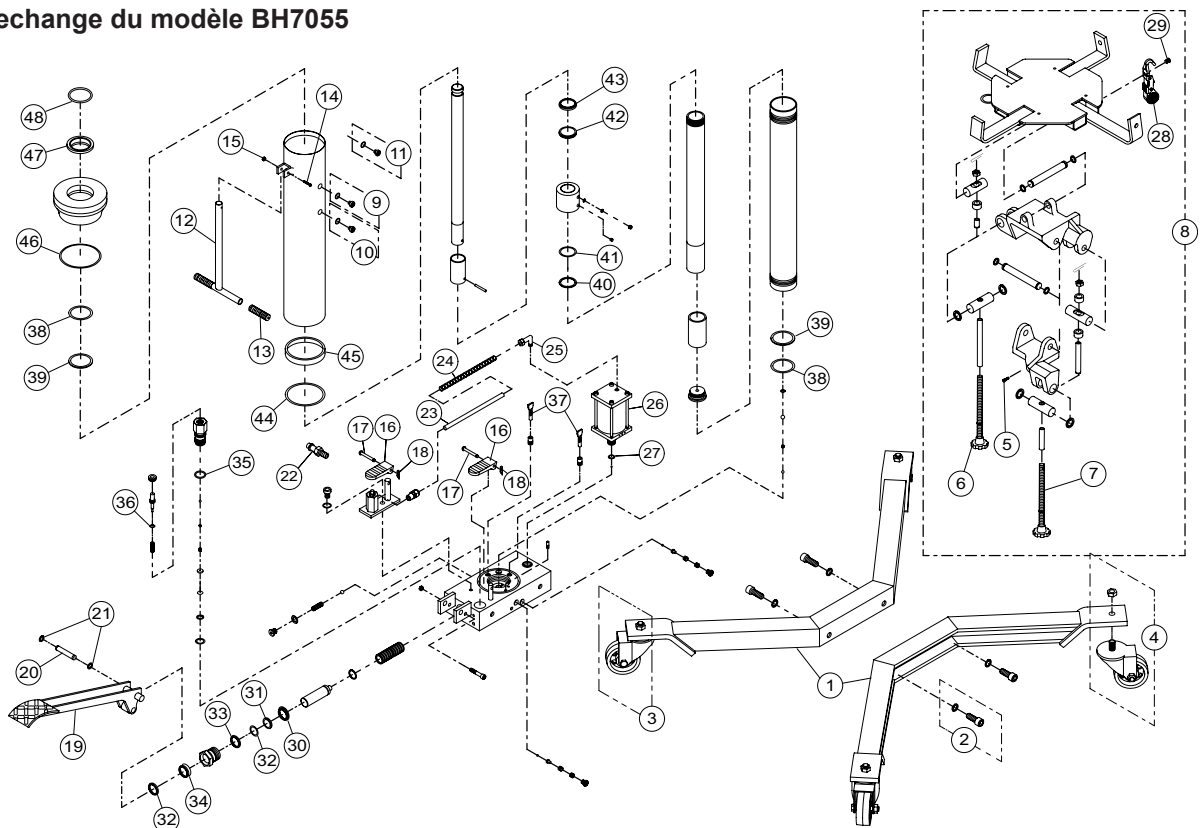
## PIÈCES DE RECHANGE (Voir pages 14 et 15.)

Ce ne sont pas toutes les pièces du cric qui peuvent être remplacées, mais elles sont illustrées pour montrer leur emplacement ainsi que leur position pour l'assemblage. Lorsque vous commandez des pièces, veuillez fournir le numéro du modèle du cric et la description de la pièce. Pour connaître les prix actuels, appelez-nous ou écrivez-nous : SFA Companies 10939 N. Pomona Ave. Kansas City, MO 64153, É.-U.,  
téléphone : 1 888 332-6419, télécopieur : 1 816 891-6599, courriel : sales@blackhawk-automotive.com

### Pièces de rechange du modèle BH7051



### Pièces de rechange du modèle BH7055



Liste des pièces de rechange des modèles BH7051 et BH7055 :

Pièce	Numéro de pièce	Description	Qté
1	G36-3-3301-108	Assemblage de patte	2
2	G36-3-0511-104	Ensemble de boulons (4 ensembles)	1
3	G36-3-5000-104	Galet de 3 po de diamètre	2
4	G36-3-5001-106	Galet avec frein	2
5	649-1-0079-105	Boulon à tête creuse	1
6	G36-3-2300-101	Assemblage de la vis pour l'inclinaison	1
7	G36-3-2301-103	Assemblage de la vis pour l'inclinaison	1
8	G36-4-4200-204	Assemble de la tête du point d'appui	1
9	G35-3-1207-109	Assemblage de vis	1
10	324-4-1900-208	Assemblage de vis	1
11	G36-3-1804-104	Assemblage de la vis de l'évent	1
12	G36-3-2100-103	Assemblage de la poignée	1
13	506-9-0264-106	Prise de la poignée	2
14	653-1-0080-409	Boulon	1
15	651-2-0080-126	Écrou en nylon	1
16	G36-6-1809-102	Pédale de la soupape de surpression (2 pièces pour le modèle BH7055)	1
17	566-4-0070-202	Goupille (2 pièces pour le modèle BH7055)	1
18	513-5-0016-018	Goupille de retenue (deux pièces pour le modèle BH7055)	1
19	G36-3-1900-100	Pédale de levage	1
20	G37-6-1603-109	Essieu	1
21	667-5-0127-005	Goupille de retenue	2
22	A24-6-8101-107	Raccord mâle 1/4 NPT (modèle BH7055 seulement)	1
23	G36-6-2300-109	Tuyau d'air (modèle BH7055 seulement)	1
24	524-2-0123-108	Ressort (modèle BH7055 seulement)	1
25	G36-6-2302-103	Raccord de tuyau, coude (modèle BH7055 seulement)	1
26	G36-4-2000-105	Moteur à air (modèle BH7055 seulement)	1
27	515-3-0120-107	Rondelle en cuivre (modèle BH7055 seulement)	1
28	G36-3-2303-107	Assemblage de sangle en nylon	1
29	654-1-0100-103	Boulon	1

Pièce	Description	Qté
30	Joint en coupelle du vérin à piston plongeur	1
31	Joint torique	1
32	Rondelle de rechange	2
33	Joint torique	1
34	Joint en coupelle	1
35	Joint torique	1
36	Joint torique	1
37	Filtre	1
38	Joint torique	2
39	Rondelle de rechange	2
40	Rondelle de rechange	1
41	Joint torique	1
42	Joint en coupelle	1
43	Joint	1
44	Joint	1
45	Rondelle de rechange	1
46	Joint torique	1
47	Joint en coupelle	1
48	Joint torique	1
G36-3-9902-104 (BH7051) G36-3-9900-100 (BH7055)	Trousse de réparation pour vérin hydraulique (comprend les pièces 30 à 48)	

## GARANTIE LIMITÉE DE 1 AN

Pendant une période d'un (1) an, à partir de la date d'achat, SFA Companies réparera ou remplacera, à sa discrétion, sans frais, tous ses produits qui, utilisés dans des conditions normales, sont défectueux à cause d'un défaut de matériel ou de fabrication. Cette garantie limitée est le seul recours du consommateur.

Pour bénéficier du service offert par la garantie, il faut retourner le produit couvert par celle-ci, port payé, à SFA Companies, Warranty Service Department, 10939 N. Pomona Ave., Kansas City, MO 64153, États-Unis.

Sauf dans les cas où les limitations et les exclusions décrites dans ce paragraphe sont spécifiquement interdites par la loi : (1) LE SEUL RECOURS DU CONSOMMATEUR EST DE FAIRE RÉPARER OU REMPLACER LES PRODUITS DÉFECTUEUX COMME DÉCRIT CI-DESSUS; (2) SFA COMPANIES NE SERA PAS TENUE RESPONSABLE DES DOMMAGES CONSÉCUTIFS OU INDIRECTS OU DE PERTES QUELCONQUES; (3) TOUTE GARANTIE IMPLICITE, CE QUI INCLUT SANS LIMITATION LES GARANTIES IMPLICITES DE COMMERCIALITÉ ET D'ADAPTATION À UN USAGE PARTICULIER, SERA LIMITÉE À UN AN, À DÉFAUT DE QUOI LA RÉPARATION, LE REMPLACEMENT OU LE REMBOURSEMENT, SELON CETTE GARANTIE EXPRESSE LIMITÉE, CONSTITUE LE SEUL RECOURS DU CLIENT, ET REMPLACE TOUTE AUTRE GARANTIE, IMPLICITE OU EXPRESSE; (4) TOUTE MODIFICATION, ALTÉRATION, UTILISATION ABUSIVE OU NON AUTORISÉE OU DÉCORATION ORNEMENTALE ANNULE CETTE GARANTIE ET N'EST PAS COUVERTE PAR CELLE-CI.

Certaines provinces et certains États ne permettent pas de limiter la durée d'une garantie implicite et il est donc possible que la limitation décrite ci-dessus ne s'applique pas. Certaines provinces et certains États ne permettent pas d'exclure ou de limiter les dommages consécutifs ou indirects et il est donc possible que la limitation ou l'exclusion mentionnée ci-dessus ne s'applique pas. Cette garantie vous confère des droits particuliers et il est aussi possible que vous puissiez jouir d'autres droits qui varient d'une province à l'autre et d'un État à l'autre.







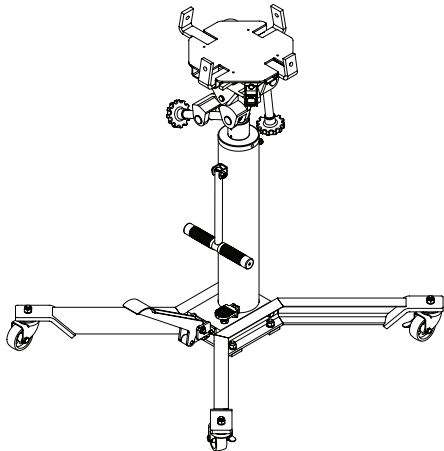
**Blackhawk  
Automotive**

## Gato de transmisión hidráulica, telescópico

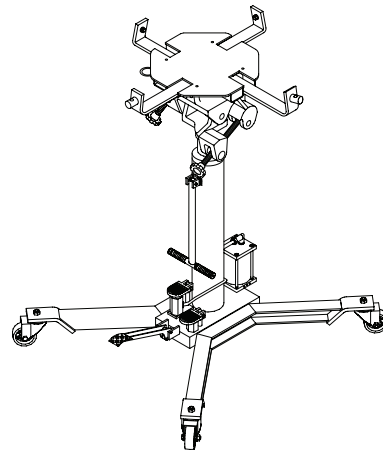
Manual de piezas e instrucciones de funcionamiento

**Modelo**  
**BH7051**  
**BH7055** *(operado por aire)*

**Capacidad**  
**1000 libras (453,5 kg)**  
**1000 libras (453,5 kg)**



Modelo BH7051



Modelo BH7055

Patente de EE. UU. N.º 6,012,377



*Este es el símbolo de alerta de seguridad. Se usa para alertar sobre peligros potenciales de lesiones personales.*

*Obedezca todos los mensajes de seguridad que tengan este símbolo, para evitar posibles lesiones personales o la muerte.*



### **ADVERTENCIA**



*Para evitar lesiones por opresión y otras lesiones:  
NUNCA trabaje sobre, debajo o alrededor de una carga que solamente esté apoyada en un gato hidráulico.  
Transfiera de inmediato la carga a una estación de trabajo adecuada.*

SFA Companies  
10939 N. Pomona Ave.  
Kansas City, MO 64153  
sales@blackhawk-automotive.com


**Lea este manual y respete todas las reglas de seguridad y las instrucciones de funcionamiento antes de usar este producto.**

BH7051-M0\_082018

## INFORMACIÓN GENERAL Y DE SEGURIDAD

**Conserve estas instrucciones.** Para su seguridad, lea, comprenda y siga la información que viene con este dispositivo antes de su uso. El propietario u operador debe tener conocimientos sobre el dispositivo, sus características operativas y las instrucciones para un funcionamiento seguro antes de utilizar el equipo. El propietario u operador debe tener presente que el uso y la reparación de este producto podrían requerir habilidades y conocimientos especiales. Es preciso leer y analizar las instrucciones y la información de seguridad con el operador, en su lengua materna, a fin de asegurarse de que el operador comprenda su contenido antes de recibir autorización para el uso de este equipo. Si tiene dudas sobre el uso seguro y adecuado de este dispositivo, proceda a sacarlo de servicio de inmediato.

**Inspeccione el dispositivo antes de cada uso.** No use el dispositivo si presenta anomalías, como grietas en la soldadura, o piezas dañadas, flojas o faltantes. Debe sacar de servicio todo equipo que presente daños, de la naturaleza que fueren, esté gastado o funcione mal hasta su reparación. Si tiene la sospecha o la certeza de que el equipo fue sometido a una carga o sufrió un impacto anormal, interrumpa el uso de inmediato hasta que sea controlado por un centro de reparación autorizado por la fábrica (comuníquese con el distribuidor o fabricante para obtener una lista de los centros de reparación autorizados). Se recomienda realizar una inspección anual a cargo de un centro de reparaciones autorizado. Las etiquetas y los manuales del operador están disponibles por parte del fabricante.

 <b>ADVERTENCIA</b>	
<ul style="list-style-type: none"><li>• <i>Estudie, comprenda y siga todas las instrucciones antes de poner en funcionamiento este dispositivo.</i></li><li>• <i>No exceda la capacidad establecida.</i></li><li>• <i>Utilícelo únicamente sobre superficies duras y uniformes.</i></li><li>• <i>Apoye el vehículo adecuadamente antes de comenzar las reparaciones.</i></li><li>• <i>El uso de este producto está limitado a la instalación, la desinstalación y el transporte en la posición baja de las transmisiones, las cajas de transferencia y los transejes.</i></li><li>• <i>No deben hacerse modificaciones a este producto.</i></li><li>• <i>Solo deben utilizarse accesorios y/o adaptadores suministrados por el fabricante.</i></li><li>• <i>Si no se respetan estas indicaciones, podrían producirse lesiones personales o daños a la propiedad.</i></li></ul>	

## DESCRIPCIÓN DEL PRODUCTO

El gato de transmisión hidráulica está diseñado para usarse como ayuda en la instalación y desinstalación de la transmisión de automotores y camiones livianos, cajas de transferencia y transejes. Este gato de transmisión de estilo telescópico es para usar debajo de elevaciones superiores o en fosas de garajes. Para el modelo con opción neumática BH7055, asegúrese de que la fuente de aire pueda dedicar 7,8 CFM a 110~175 psi (7,5 a 12 bar) a cada gato en funcionamiento.

## ESPECIFICACIONES

Modelo	Capacidad	Altura mín.	Altura máx.	Base del asiento	Área extendida del asiento	Dimensiones del gato (L) x (P)
BH7051	1000 libras (453,5 kg)	39-7/8" (101,3 cm)	77-1/4" (196,5 cm)	11-1/2" x 11-1/2" (29,2 cm x 29,2 cm)	21" x 21" (53,3 cm x 53,3 cm)	33-1/8" x 35-1/2" (84,1 cm x 90,2 cm)
BH7055						

# PREPARACIÓN

## Ensamblaje (consulte la Figura 1)

Herramientas necesarias: llave, llave tipo "Allen" de 0,2" (6 mm), llave hexagonal de 0,7" (18 mm) y llave de torsión.

- Componentes principales incluidos con este gato:
  - Conjunto de la unidad hidráulica;
  - Conjunto del asiento;
  - Dos medias piezas de base con accesorios.
- Fije cualquiera de las dos mitades de base a la base de la unidad hidráulica; luego fije con los pernos de 0,7" (18 mm) y las arandelas provistos. Aplique el mismo procedimiento a la otra mitad de la base. Use la llave de torsión para ajustar a 30 lb-pie (4,1 kg-m). No apriete demasiado.
- Coloque el casquillo del conjunto del asiento en el pistón del ariete. Apriete el tornillo de fijación sobre el casquillo con la llave tipo "Allen" de 0,2" (6 mm).

## Antes del uso

- Antes de usar este producto, lea todo el manual del operador; procure familiarizarse en forma completa con el producto y sus componentes, y reconocer los peligros asociados a su uso.
- Verifique que el producto y la aplicación sean compatibles; si tiene dudas, llame al Servicio técnico de Blackhawk al (888) 332-6419.
- Presione el pedal de la válvula de liberación para que el asiento se baje totalmente. Retire el tornillo de transporte y reemplácelo con el tornillo de ventilación provisto (*el tornillo de transporte está ubicado encima del tornillo de llenado de aceite*).
- Para el modelo con opción neumática BH7055, vierta una cucharadita de lubricante para herramientas de aire de buena calidad en la entrada del suministro de aire de la válvula de control de elevación. Conecte al suministro de aire y hágalo funcionar durante 3 segundos para distribuir el lubricante de manera uniforme.

**AVISO:** El modelo BH7055 está equipado con un acoplador de aire de 1/4" (0,6 cm) NPT. Si instala un acoplador de aire diferente, use cinta o compuesto aislante en todas las conexiones neumáticas. Instale un secador de aire y engrasador en línea para asegurar el funcionamiento fiable.

- Asegúrese de que el gato se desplace libremente. Antes de poner el gato en servicio, suba y baje el gato sin carga a lo largo de la distancia de elevación para asegurarse de que la bomba funcione sin dificultades. Reemplace las piezas y los conjuntos desgastados o dañados solo con piezas de repuesto autorizadas de Blackhawk.

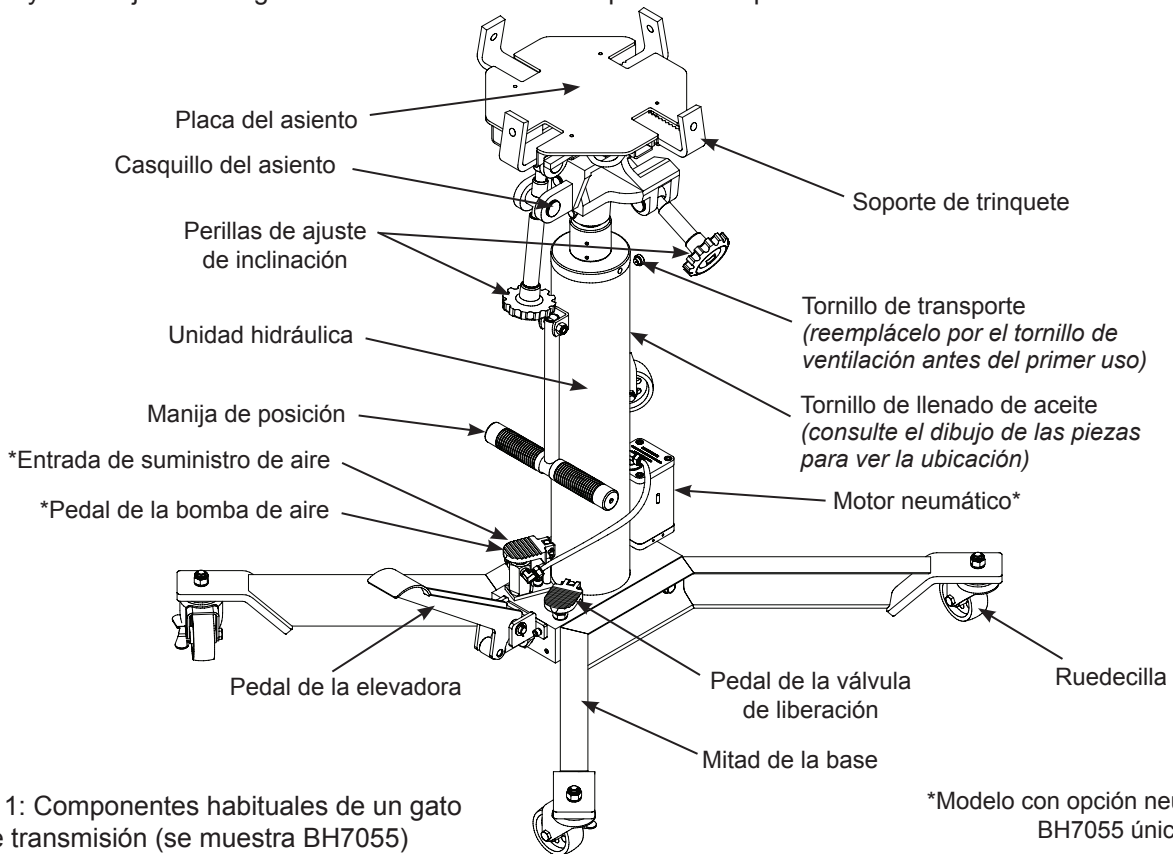
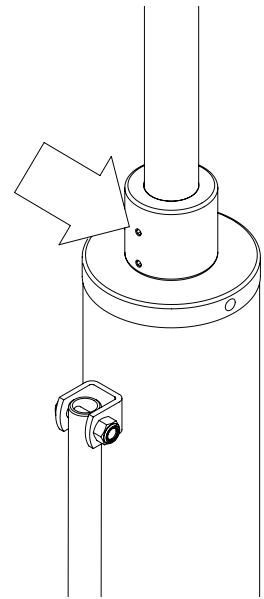


Figura 1: Componentes habituales de un gato de transmisión (se muestra BH7055)

## PREPARACIÓN *(cont.)*

### Procedimiento de descarga del aire atrapado

1. Baje el asiento hasta la posición más baja.
2. Afloje el tornillo de fijación superior que se muestra a la derecha (0,1" [3 mm]). No lo retire totalmente; aflójelo solo lo suficiente para que salga el aire.
3. Mientras el tornillo está suelto, bombee el gato lentamente, para que el aire atrapado vaya más allá del tornillo de fijación. Siga bombeando hasta que el aceite comience a salir por el agujero de ventilación.
4. Apriete el tornillo de fijación del ventilador.
5. Bombee hasta la altura máxima del asiento; el pedal de la bomba no debe seguir bombeando con facilidad cuando se alcance la altura máxima.
6. Mientras baja el asiento, vuelva a liberar el tornillo de ventilación y revise que salga aceite, no aire.
7. Apriete el tornillo de ventilación.
8. Si el problema persiste, repita los pasos hasta que se ventile todo el aire.



## FUNCIONAMIENTO

Siga las instrucciones para la instalación y desinstalación de la transmisión, la caja de transferencia o el transeje conforme al manual de servicio del fabricante del vehículo.

### Elevación del asiento:

Bombee el pedal para pie o presione el pedal de la bomba de aire (*modelo BH7055*) hasta que el asiento llegue a la posición deseada. Fije la carga con las cadenas provistas.

**AVISO:** *No intente hacer funcionar el gato por aire y bomba para pie al mismo tiempo.*

**⚠ ADVERTENCIA:** *Asegúrese de que el núcleo de gravedad de la carga esté centrado en el asiento y estabilizado antes de mover el gato. La transmisión fuera del centro podría hacer que el gato vuelque.*

**⚠ ADVERTENCIA:** *No utilice este gato como estación de trabajo.*

### Descenso del asiento:

**⚠ ADVERTENCIA:** *Despeje el área de herramientas y operarios antes de bajar la carga. Accione lentamente el pedal de la válvula de liberación. Mantenga el control de la carga en todo momento.*

Aplique presión hacia abajo en el pedal de la válvula de liberación de manera lenta y cuidadosa.

## MANTENIMIENTO

**AVISO:** *Use solo aceite para gatos hidráulicos de buena calidad. Evite mezclar diferentes tipos de líquidos y NUNCA use líquido de frenos, aceite de turbinas, líquido de transmisión, aceite de motor ni glicerina. El uso de un líquido inadecuado puede provocar fallas prematuras en el gato y posibles pérdidas de carga repentinas e inmediatas. Se recomienda el uso de aceite para gato hidráulico de alta calidad.*

### Cambio de aceite

**AVISO:** *Para lograr el mejor rendimiento y una vida útil más prolongada, cambie el suministro completo de líquido por lo menos una vez al año.*

1. Una vez que el asiento haya descendido por completo, retire el tornillo de llenado de aceite.
2. Coloque al gato de lado y descargue el líquido en un recipiente adecuado.

**AVISO:** Deseche el líquido hidráulico conforme a las reglamentaciones ambientales locales.

3. Coloque el gato en su posición a nivel. Llene la reserva con 2-1/2 cuartos de galón (2,3 litros) de aceite para gatos hidráulicos de alta calidad. Vuelva a colocar el tornillo de llenado de aceite.
4. Realice el **Procedimiento de descarga del aire atrapado** (página 24).

#### Lubricación

1. La lubricación periódica con un aceite liviano en los puntos de giro, los ejes y las bisagras ayudará a evitar la corrosión y garantizará que los conjuntos de las ruedecillas y la bomba se muevan libremente.
2. Para los modelos operados por aire BH7055: Cuando se usa a diario, el modelo con bomba de aire debe lubricarse por dentro antes de cada uso. Use únicamente lubricante para herramientas de aire de buena calidad. Si no se usa un engrasador en línea, vierta una cucharadita de aceite para herramientas de aire en la entrada de suministro de aire. Haga funcionar el gato usando la función de aire para distribuir el aceite en forma completa.

#### Limpieza

Verifique periódicamente el pistón y el ariete de la bomba en busca de signos de oxidación o corrosión. Límpielos con un paño con aceite, según sea necesario.

**AVISO:** No use papel de lija ni materiales abrasivos en las superficies del ariete y el pistón de la bomba.

#### Almacenamiento

Cuando no lo utilice, guarde el gato con el asiento completamente bajo.

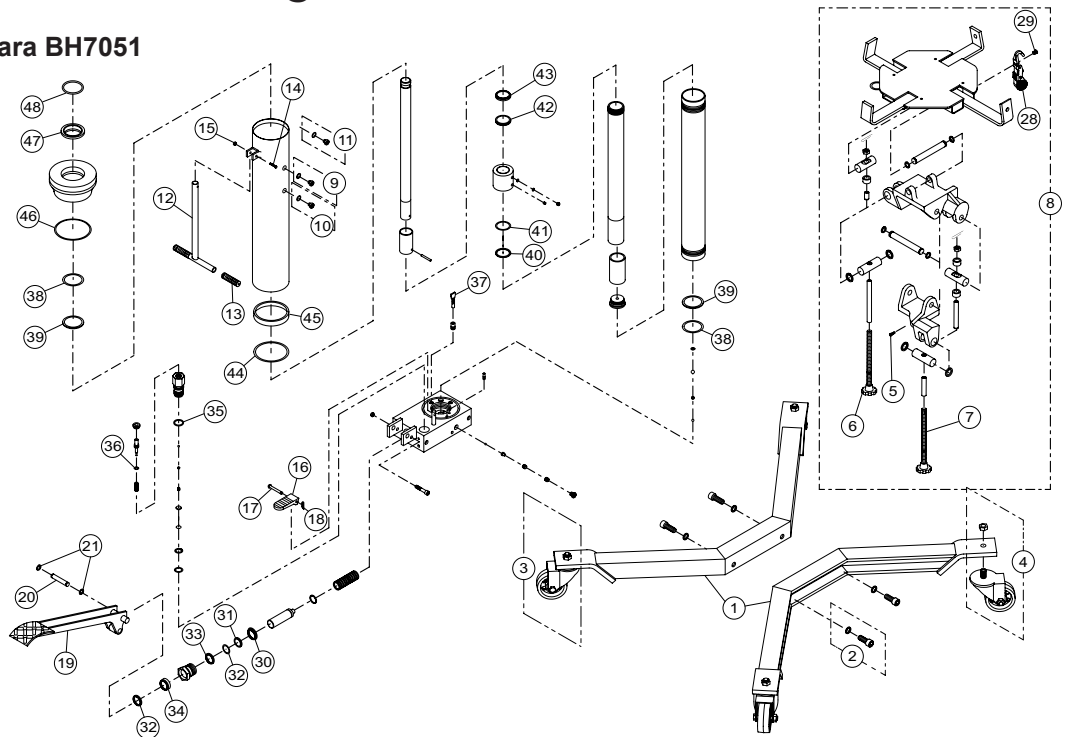
## LOCALIZACIÓN Y SOLUCIÓN DE AVERÍAS

Síntoma	Causas posibles	Medidas correctivas
El gato no levanta la carga.	<ul style="list-style-type: none"><li>• La carga es demasiado pesada.</li></ul>	<ul style="list-style-type: none"><li>• Piense en la posibilidad de usar un gato de mayor capacidad.</li></ul>
El gato se eleva, pero no mantiene la presión.	<ul style="list-style-type: none"><li>• La unidad hidráulica no funciona correctamente.</li></ul>	<ul style="list-style-type: none"><li>• Interrumpa el servicio y póngase en contacto con un técnico de servicio de Blackhawk.</li></ul>
El gato no baja después de su descarga.	<ul style="list-style-type: none"><li>• El depósito está lleno en exceso.</li></ul>	<ul style="list-style-type: none"><li>• Asegúrese de retirar la carga y descargue el líquido hasta el nivel adecuado.</li></ul>
La capacidad de elevación es deficiente.	<ul style="list-style-type: none"><li>• El nivel de líquido está bajo.</li><li>• La unidad hidráulica no funciona correctamente.</li></ul>	<ul style="list-style-type: none"><li>• Asegúrese de que el nivel de líquido sea el adecuado.</li><li>• Interrumpa el servicio y póngase en contacto con un técnico de servicio de Blackhawk.</li></ul>
El gato no se eleva al máximo de su capacidad.	<ul style="list-style-type: none"><li>• El nivel de líquido está bajo.</li></ul>	<ul style="list-style-type: none"><li>• Asegúrese de que el nivel de líquido sea el adecuado.</li></ul>

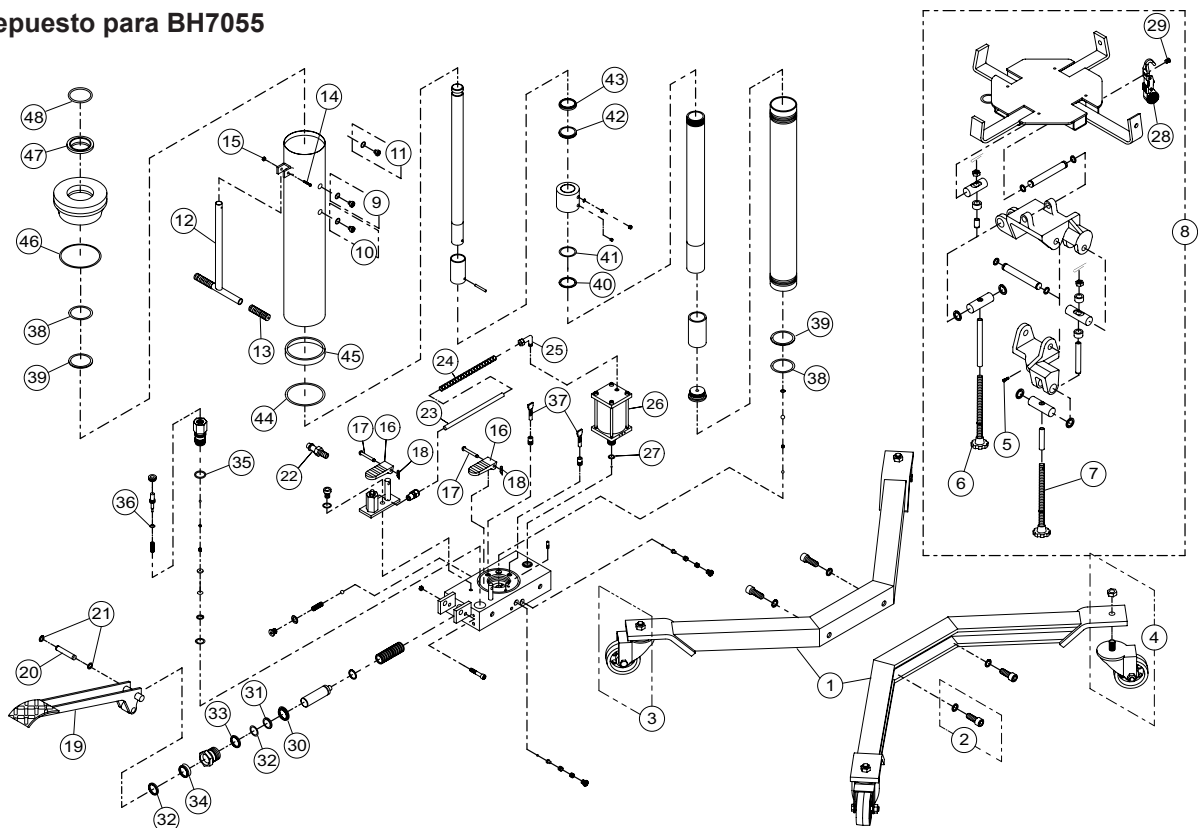
## PIEZAS DE REPUESTO (páginas 22 y 23)

No todos los componentes de este gato tienen reemplazo, pero se ilustran a modo de referencia práctica de la ubicación y la posición que ocupan en la secuencia del conjunto. Cuando realice el pedido de piezas, indique el número de modelo y la descripción de las piezas. Para obtener el precio vigente, comuníquese a: SFA Companies 10939 N. Pomona Ave. Kansas City, MO 64153, U.S.A. Tel.: (888) 332-6419 Fax: (816) 891-6599, Correo electrónico: sales@blackhawk-automotive.com

### Piezas de repuesto para BH7051



### Piezas de repuesto para BH7055



**Lista de piezas de repuesto para los modelos BH7051 y BH7055:**

Elem.	N.º de pieza	Descripción	Cant.
1	G36-3-3301-108	Conjunto de la pata	2
2	G36-3-0511-104	Juego de pernos (4 juegos)	1
3	G36-3-5000-104	Ruedecilla, 3" (7,6 cm) de diámetro	2
4	G36-3-5001-106	Ruedecilla con freno	2
5	649-1-0079-105	Perno de cabeza hueca	1
6	G36-3-2300-101	Conjunto del tornillo inclinado	1
7	G36-3-2301-103	Conjunto del tornillo inclinado	1
8	G36-4-4200-204	Conjunto de la cabeza del asiento	1
9	G35-3-1207-109	Conjunto del tornillo	1
10	324-4-1900-208	Conjunto del tornillo	1
11	G36-3-1804-104	Conjunto del tornillo de ventilación	1
12	G36-3-2100-103	Conjunto de la manija	1
13	506-9-0264-106	Agarre de la manija	2
14	653-1-0080-409	Perno	1
15	651-2-0080-126	Tuerca de nailon	1
16	G36-6-1809-102	Pedal de la válvula de liberación (2 piezas para BH7055)	1
17	566-4-0070-202	Pasador (2 piezas para BH7055)	1
18	513-5-0016-018	Pasador de retención (2 piezas para BH7055)	1
19	G36-3-1900-100	Pedal de la elevadora	1
20	G37-6-1603-109	Eje	1
21	667-5-0127-005	Pasador de retención	2
22	A24-6-8101-107	Acoplador, macho de 1/4" (0,6 cm) NPT (BH7055 únicamente)	1
23	G36-6-2300-109	Manguera de aire (BH7055 únicamente)	1
24	524-2-0123-108	Resorte (BH7055 únicamente)	1
25	G36-6-2302-103	Conector de la manguera, codo (BH7055 únicamente)	1
26	G36-4-2000-105	Motor neumático (BH7055 únicamente)	1
27	515-3-0120-107	Arandela de cobre (BH7055 únicamente)	1
28	G36-3-2303-107	Conjunto de la correa de nailon	1
29	654-1-0100-103	Perno	1

Elem.	Descripción	Cant.
30	Ariete con copa en U	1
31	Junta tórica	1
32	Arandela de respaldo	2
33	Junta tórica	1
34	Copa en U	1
35	Junta tórica	1
36	Junta tórica	1
37	Filtro	1
38	Junta tórica	2
39	Arandela de respaldo	2
40	Arandela de respaldo	1
41	Junta tórica	1
42	Copa en U	1
43	Sello	1
44	Sello	1
45	Arandela de respaldo	1
46	Junta tórica	1
47	Copa en U	1
48	Junta tórica	1
G36-3-9902-104 (BH7051) G36-3-9900-100 (BH7055)	Kit de reparación para la unidad hidráulica (incluye las piezas 30 a 48)	

## GARANTÍA LIMITADA DE UN AÑO

Por el período de un (1) año desde la fecha de compra, SFA Companies reparará o reemplazará, a su discreción, sin costo alguno, cualquier producto que presente fallas debido a defectos de materiales o mano de obra bajo condiciones normales de uso. Esta garantía limitada es un recurso exclusivo del consumidor.

El cumplimiento de toda obligación en virtud de esta garantía puede obtenerse con el envío del producto en garantía, con flete abonado en origen, a SFA Companies Warranty Service Department, 10939 N. Pomona Ave., Kansas City, MO 64153.

Salvo que tales limitaciones y exclusiones estén específicamente prohibidas por las leyes vigentes, (1) EL ÚNICO Y EXCLUSIVO RECURSO DEL CONSUMIDOR SERÁ LA REPARACIÓN O EL REEMPLAZO DE LOS PRODUCTOS DEFECTUOSOS, COMO SE DETALLA ARRIBA. (2) SFA Companies NO SERÁ RESPONSABLE, EN NINGÚN CASO, POR DAÑOS O PÉRDIDAS EMERGENTES O INCIDENTALES. (3) TODA GARANTÍA IMPLÍCITA, LO QUE INCLUYE, ENTRE OTRAS, LAS GARANTÍAS IMPLÍCITAS DE COMERCIALIZACIÓN Y APTITUD PARA FINES ESPECÍFICOS, ESTARÁ LIMITADA A UN AÑO; DE OTRO MODO, LA REPARACIÓN, EL REEMPLAZO O LA DEVOLUCIÓN DE DINERO CONFORME A ESTA GARANTÍA LIMITADA EXPRESA SERÁ EL EXCLUSIVO RECURSO DEL CONSUMIDOR, Y SE OFRECE EN LUGAR DE CUALQUIER OTRA GARANTÍA, EXPRESA O IMPLÍCITA. (4) CUALQUIER MODIFICACIÓN, ALTERACIÓN, USO INDEBIDO, SERVICIO NO AUTORIZADO O DISEÑO ORNAMENTAL ANULARÁ ESTA GARANTÍA Y NO ESTARÁ CUBIERTO POR ESTA GARANTÍA.

Algunos estados no permiten la limitación de la duración de las garantías implícitas, por lo que las limitaciones anteriores pueden no aplicarse en su caso. Algunos estados no permiten excluir o limitar los daños emergentes o incidentales, por lo tanto esta limitación o exclusión puede no ser aplicable en su caso. Esta garantía le otorga derechos legales específicos. Usted puede tener además otros derechos que varían de un estado a otro.



SFA Companies  
10939 N. Pomona Ave. Kansas City, MO 64153  
816-891-6390  
sales@blackhawk-automotive.com